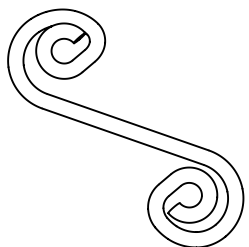
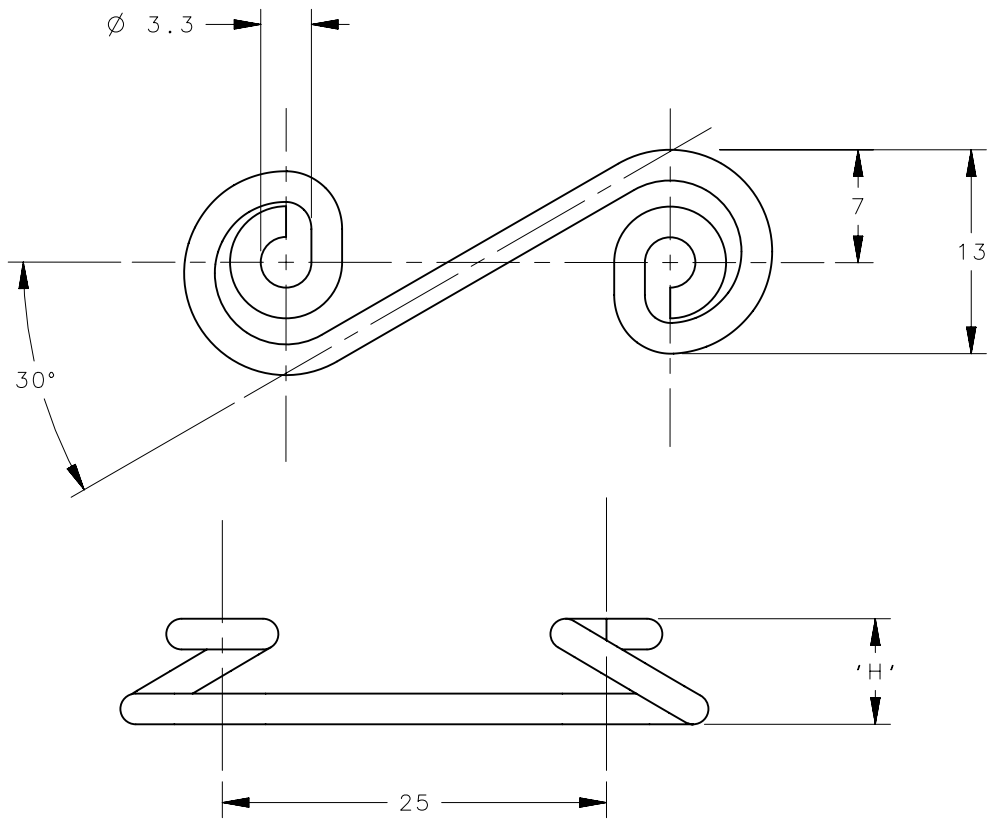
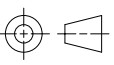



REVISION HISTORY			
REV	DATE	BY	DESCRIPTION
B	10JUL2017	SPD/YGC	PRN: P2017-1649



SCALE 1:1

PART NUMBER	'H' DIM
D4-S5-175	4.5
D4-S5-200	5.0
D4-S5-225	5.8
D4-S5-250	6.4
D4-S5-275	7.0
D4-S5-300	8.0
D4-S5-325	8.5

D4-S5-XXX	SPRING	SPRING STEEL	ZINC PLATE
D4-S5-XXXSS	SPRING	STAINLESS STEEL	CLEAN
PART NUMBER	TYPE OF COMPONENT	MATERIAL	FINISH
	THIRD ANGLE PROJECTION 	 CONNECT • CREATE • INNOVATE	
	MILLIMETERS [IN]		
SURFACE AREA	TOLERANCES UNLESS OTHERWISE NOTED	DESCRIPTION SPRING - S5 TYPE	
VOLUME	ALL DIMENSIONS WITHOUT TOLERANCES ARE FOR REFERENCE ONLY.	SIZE A4	SYSTEM NX
PROPRIETARY ITEM EXCEPT FOR USES EXPRESSLY GRANTED IN WRITING, INFORMATION DISCLOSED HEREON IS CONFIDENTIAL AND ALL RIGHTS, PATENT AND OTHERWISE, ARE RESERVED BY SOUTHCO, INC.	PER ASME Y14.5M-1994	DWG NO. J-D4-S5-XXX	
		DRAWN BY MJW	DATE 26JUL2007
		SCALE 2:1	SHEET 1 OF 1