



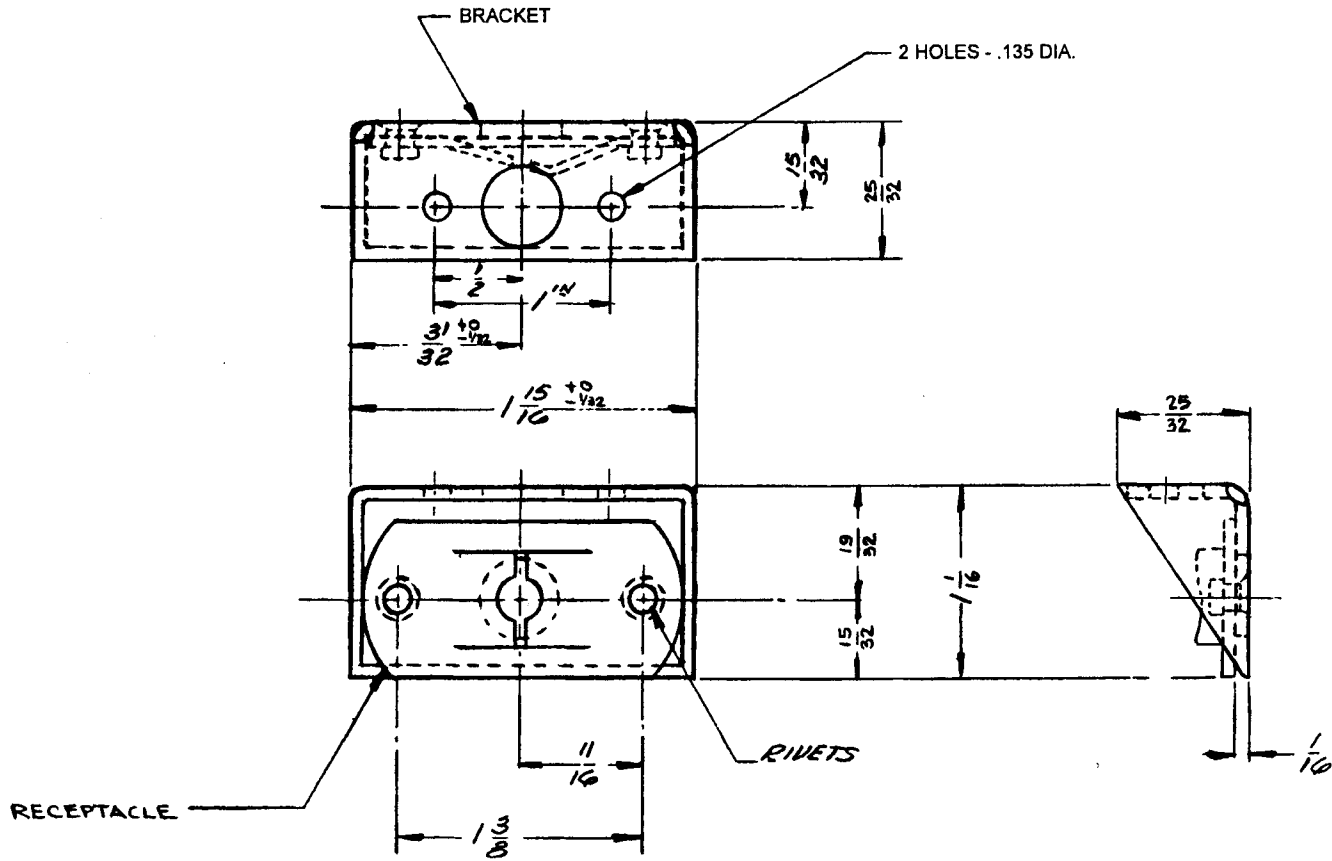
SOUTHCO No.7 SCREW FASTENER
SIDE MOUNT ASSEMBLY ~ RIVET TYPE

DATE	DRAWN	CHKD	SCALE	DRAWING NUMBER
7-1-58	ESK		N.T.S.	J-17-90-101-10

REV. LET.	DATE	BY-CHKD	REVISIONS	NAME	PART No.	MATERIAL	FINISH
I	135EP 93	WPE	PRN: S-99-1-N-1	ASSEMBLY	17-90-101-10		
J	04DEC96	JAC	PRN: S-1-06A	BRACKET		STEEL	SEE NOTE "B"
				RECEPTACLE	10015-13	STEEL	SEE NOTE "A"
				RIVETS		ALUMINUM	NATURAL

NOTE "A" - PHOSPHATE COATED PLUS 2 COATS OF ALUMINUM PAINT OR DACROTIZED

NOTE "B" - ZINC PLATE, CHROMATE PLUS SEALER.



PROPRIETARY ITEM - EXCEPT FOR USES EXPRESSLY GRANTED IN WRITING INFORMATION DISCLOSED HEREON IS CONFIDENTIAL AND ALL RIGHTS, PATENT AND OTHERWISE, ARE RESERVED BY SOUTHCO., INC.

TOLERANCE UNLESS OTHERWISE NOTED
DECIMALS ± FRACTIONS ± ANGLES ±

DRAWING NUMBER
J-17-90-101-10