

**southco**

PROPRIETARY ITEM - EXCEPT FOR USES EXPRESSLY GRANTED IN WRITING INFORMATION DISCLOSED HEREON IS CONFIDENTIAL AND ALL RIGHTS PATENT AND OTHERWISE ARE RESERVED BY SOUTHCO, INC.

**No.24 FASTENER-HEAVY DUTY  
ADJUSTABLE PAWL TYPE (STUD MOUNT)**

DATE: 22MAR96  
DRAWN: PCB  
CHKD:  
SCALE: .5:1

DRAWING NUMBER: **J-24-20-101-35**

REV	DATE	DRAWN/CHKD	DESCRIPTION	ITEM	PART NUMBER	MATERIAL	FINISH
A	22NOV96	JGK	PRN:S-1-06A	ASSEMBLY	SEE TABLE	-	-
B	13MAY2004	RLR/AJH	PRN:P2004-0492	GROOVE PIN	-	STEEL	ZINC PLATE PLUS BRIGHT CHROMATE
C	04DEC2007	GDW/JSS	PRN:P2007-1490	CONICAL SPRING	-	STAINLESS STEEL	PASSIVATED
D	11MAR2008	VWA/VGV	PRN:P2008-0252	PAWL	SEE TABLE	STEEL	ZINC PLATE PLUS YELLOW CHROMATE DIP
E	16OCT2013	CMS/BGL	PRN:P2013-2040	SPRING	-	STAINLESS STEEL	PASSIVATE
				RETAINER	-	STEEL	ZINC PLATE CHROMATE PLUS SEALER
				BUSHING	-	STEEL	ZINC PLATE CHROMATE PLUS SEALER
				HANDLE	-	DIE CAST ZINC	CHROME PLATE
				CUPWASHER	-	STEEL	CHROME PLATE
				CUP HOUSING	-	STAINLESS STEEL	ELECTROPOLISH
				HEX NUT (4)	-	STAINLESS STEEL	PASSIVATE
				LOCKWASHER (4)	-	STAINLESS STEEL	PASSIVATE
				SCREW	-	STEEL	BRIGHT CHROME PLATE

**INCHES**

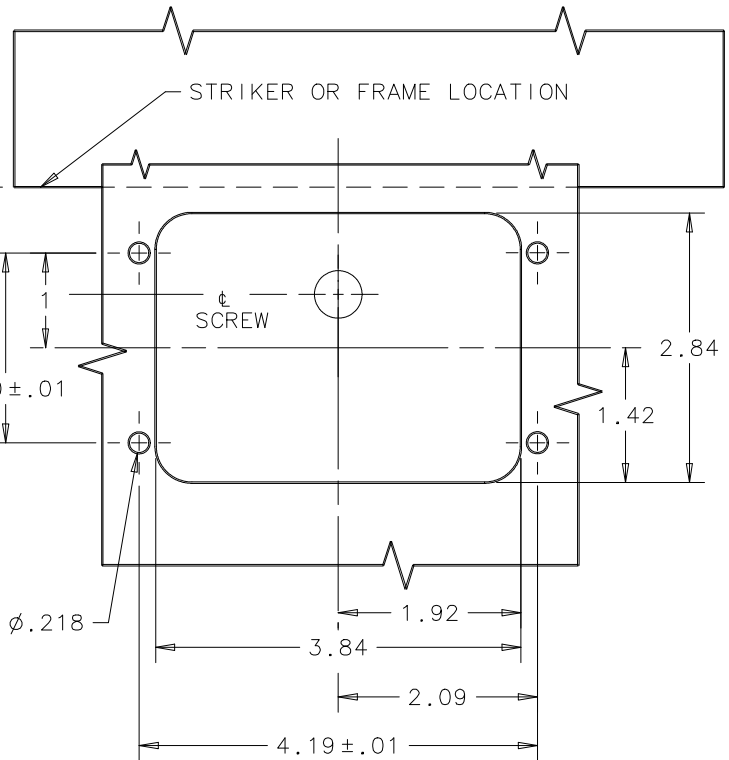
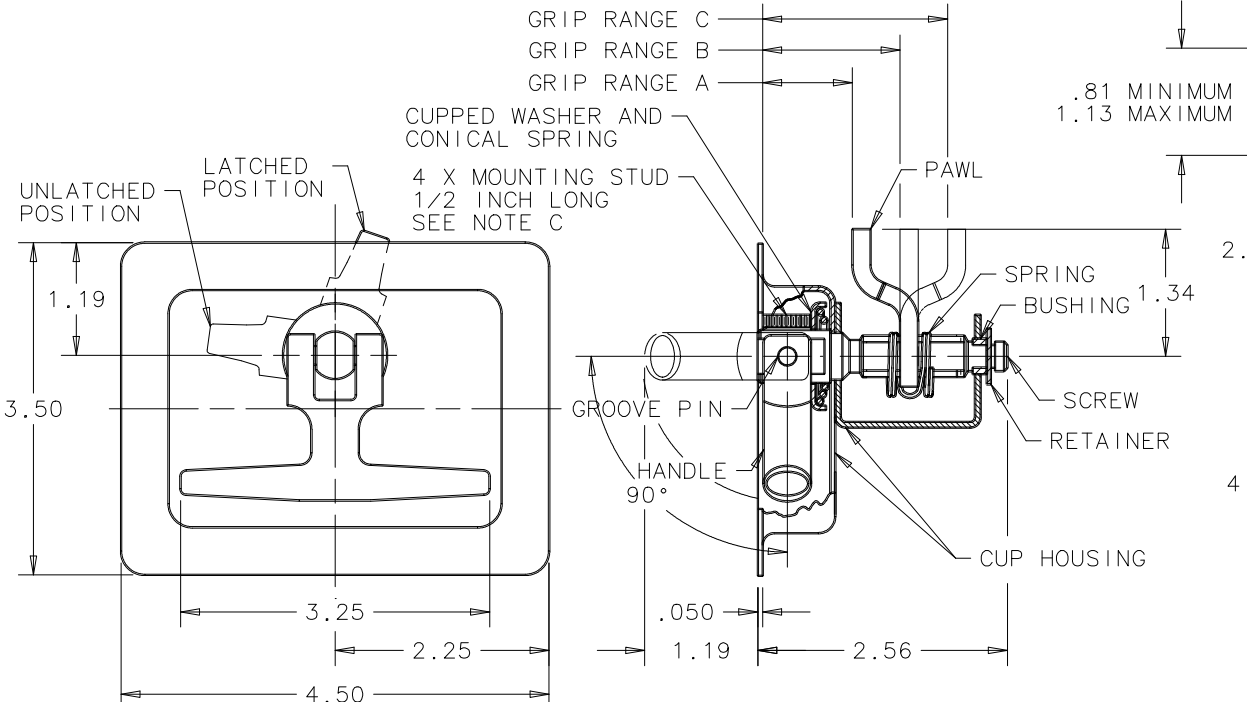
ALL DIMENSIONS WITHOUT TOLERANCES ARE FOR REFERENCE ONLY.

THIRD ANGLE PROJECTION

A PAPER SIZE

NOTES:  
 A. <sup>TM</sup> METAL COATINGS INTERNATIONAL INC.  
 B. TIGHTENING TORQUE OF MOUNTING NUTS NOT TO EXCEED 25 in-lbs.  
 C. MOUNTING HEX NUT AND LOCKWASHER 4 EACH INCLUDED UNASSEMBLED

ASSEMBLY	PAWL	GRIP RANGE		
		LETTER	MIN	MAX
24-20-101-35	62-18-301-17	A	.45	1.37
24-20-102-35	62-18-302-17	B	.95	1.86
24-20-104-35	62-18-301-17	C	1.45	2.32



**PANEL PREPARATION**

THESE ASSEMBLIES ARE NON-REPAIRABLE ITEMS AND COMPONENTS ARE NOT AVAILABLE AS REPLACEMENT OR REPAIR PARTS.