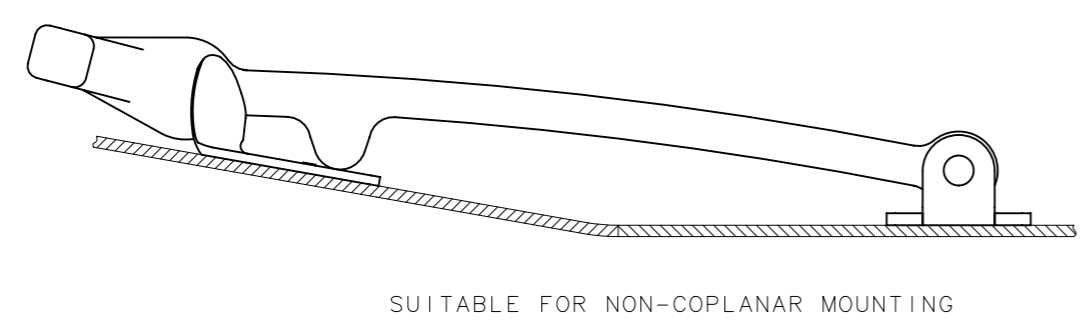
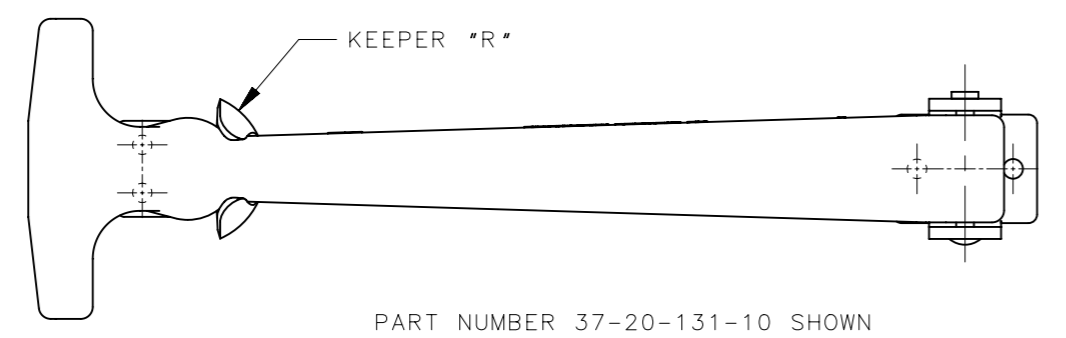
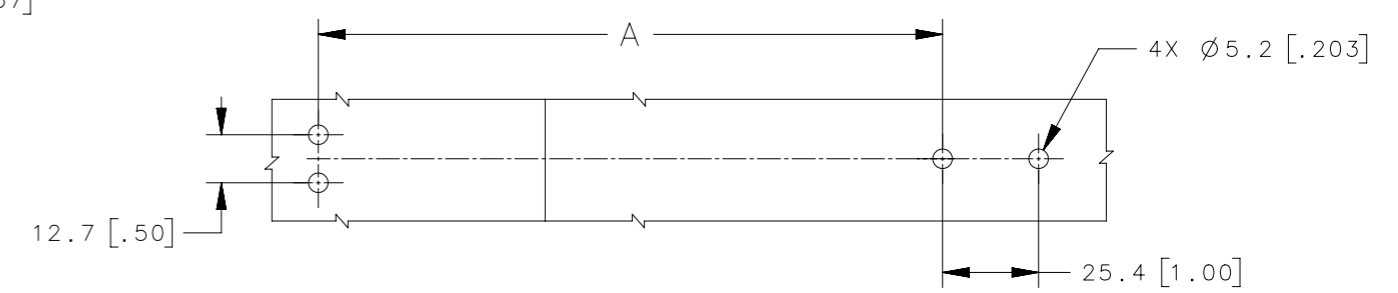
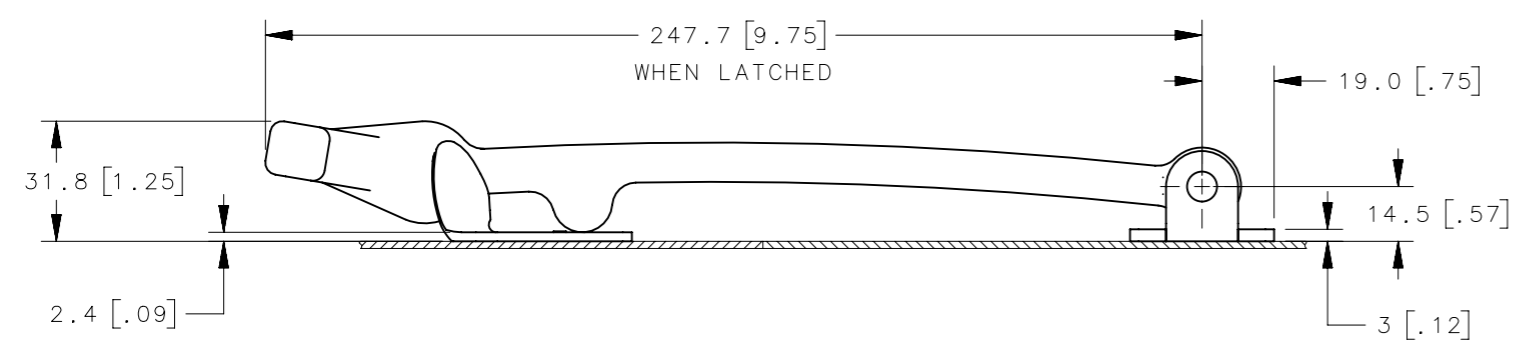
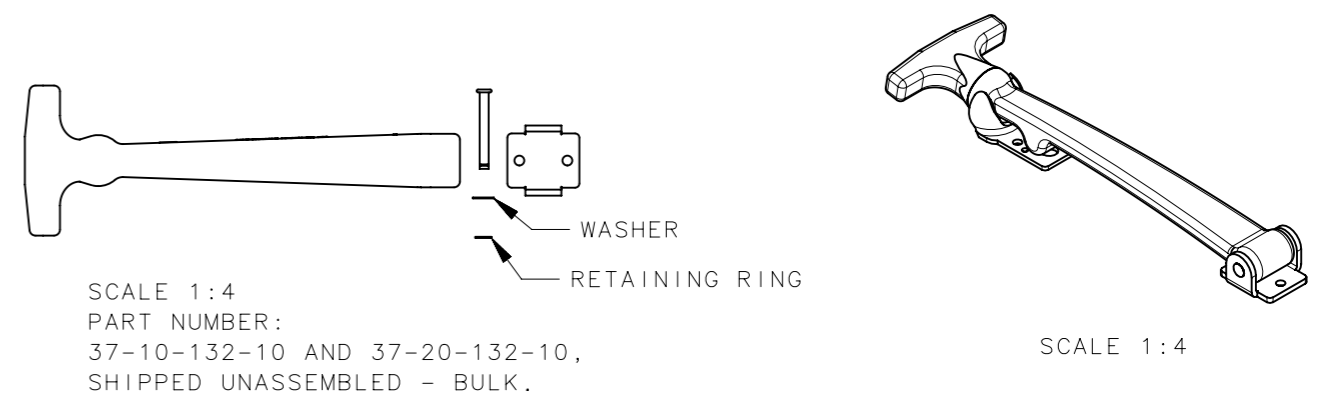
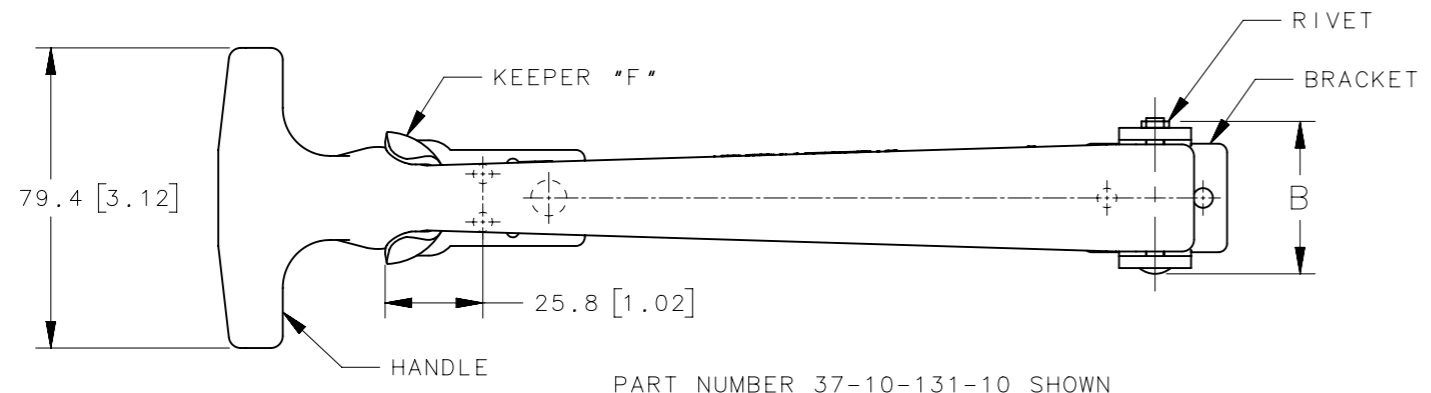


REVISION HISTORY			
REV	DATE	BY	DESCRIPTION
A	03FEB2016	DMS/YGC	PRN: P2016-0231



37-20-132-10	LATCH SHIPPED UNASSEMBLED	EPDM RUBBER, BLACK	SEE NOTE 2	SEE NOTE 2	SEE NOTE 2	R	204.8[8.06]	42.1[1.66]
37-10-132-10	LATCH SHIPPED UNASSEMBLED	EPDM RUBBER, BLACK	SEE NOTE 2	SEE NOTE 2	SEE NOTE 2	F	165.1[6.50]	42.1[1.66]
37-25-101-24	KEEPER	-	-	-	SEE NOTE 3	R	-	-
37-11-131-20	HANDLE SUB-ASSEMBLY	EPDM RUBBER, BLACK	SEE NOTE 3	SEE NOTE 3	-	-	-	-
37-20-131-20	LATCH, ASSEMBLED	-	-	-	-	-	204.8[8.06]	39.3[1.55]
37-25-101-17	KEEPER	-	-	-	SEE NOTE 2	R	-	-
37-11-131-10	HANDLE SUB-ASSEMBLY	EPDM RUBBER, BLACK	SEE NOTE 2	ALUMINUM, NATURAL	-	-	-	-
37-20-131-10	LATCH, ASSEMBLED	-	-	-	-	-	204.8[8.06]	39.3[1.55]
37-15-101-24	KEEPER	-	-	-	SEE NOTE 3	F	-	-
37-11-131-20	HANDLE SUB-ASSEMBLY	EPDM RUBBER, BLACK	SEE NOTE 3	SEE NOTE 3	-	-	-	-
37-10-131-20	LATCH, ASSEMBLED	-	-	-	-	-	165.1[6.50]	39.3[1.55]
37-15-101-17	KEEPER	-	-	-	SEE NOTE 2	F	-	-
37-11-131-10	HANDLE SUB-ASSEMBLY	EPDM RUBBER, BLACK	SEE NOTE 2	ALUMINUM, NATURAL	-	-	-	-
37-10-131-10	LATCH, ASSEMBLED	-	-	-	-	-	165.1[6.50]	39.3[1.55]
PART NUMBER	TYPE OF COMPONENT	HANDLE	BRACKET	RIVET/STUD	KEEPER	KEEPER TYPE	A	B
		MATERIAL, FINISH						

- NOTES:
- LATCH PACKAGED ONE HANDLE SUB-ASSEMBLY AND ONE KEEPER PER BAG. FOR BULK PACKAGING: ORDER HANDLE SUB-ASSEMBLY AND KEEPER PART NUMBERS SEPARATELY.
 - STEEL, ZINC PLATE, BRIGHT CHROMATE PLUS SEALER.
 - STAINLESS STEEL, PASSIVATED.

THIRD ANGLE PROJECTION	 CONNECT • CREATE • INNOVATE	
MILLIMETERS [IN]		
SURFACE AREA	TOLERANCES UNLESS OTHERWISE NOTED	DESCRIPTION
VOLUME	ALL DIMENSIONS WITHOUT TOLERANCES ARE FOR REFERENCE ONLY.	37 FLEXIBLE DRAW LATCH 100 SERIES, T-HANDLE
PROPRIETARY ITEM	SIZE A3	SYSTEM NX
EXCEPT FOR USES EXPRESSLY GRANTED IN WRITING, INFORMATION DISCLOSED HEREON IS CONFIDENTIAL AND ALL RIGHTS, PATENT AND OTHERWISE, ARE RESERVED BY SOUTHCO, INC.	PER ASME Y14.5M-1994	DWG NO. J-37-130
	DRAWN BY DMS/YGC	DATE 13JAN2016
		SCALE 1:2
		SHEET 1 OF 1