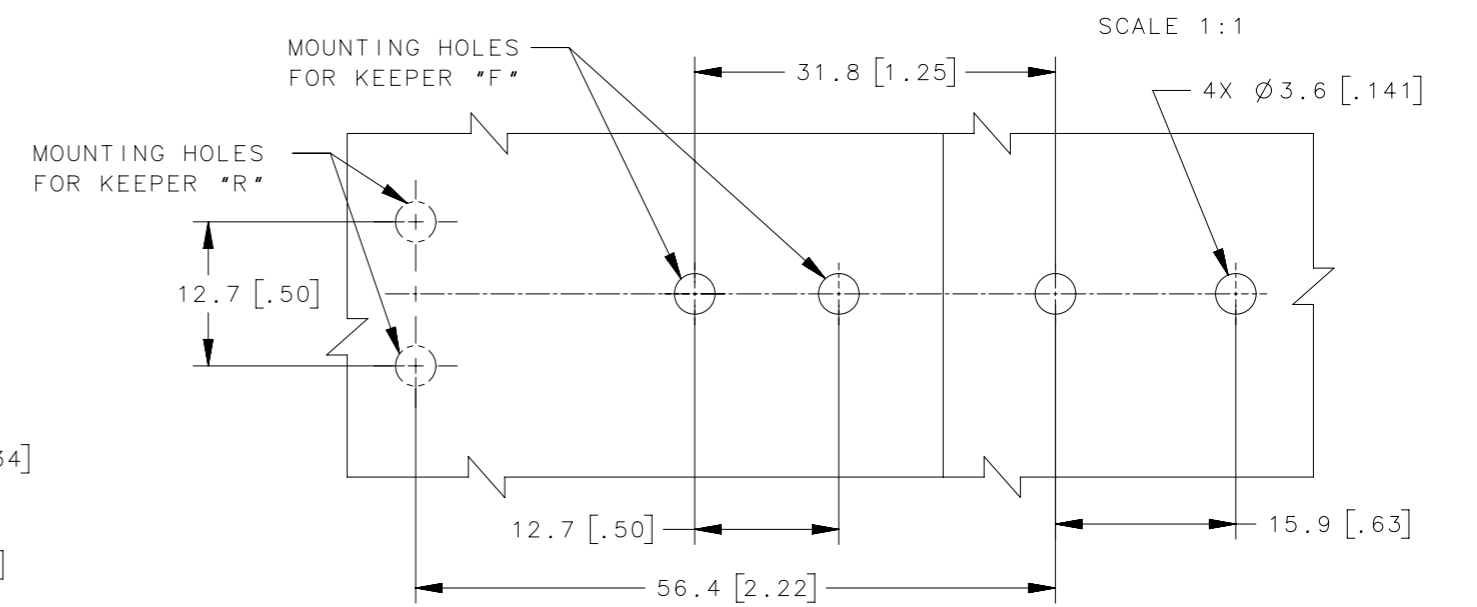
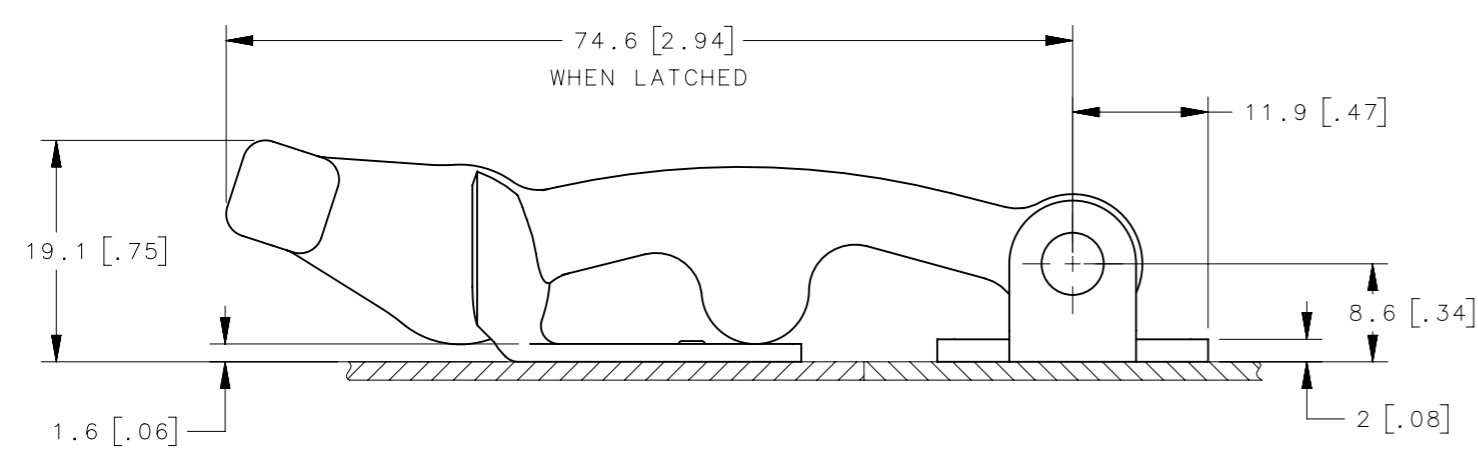
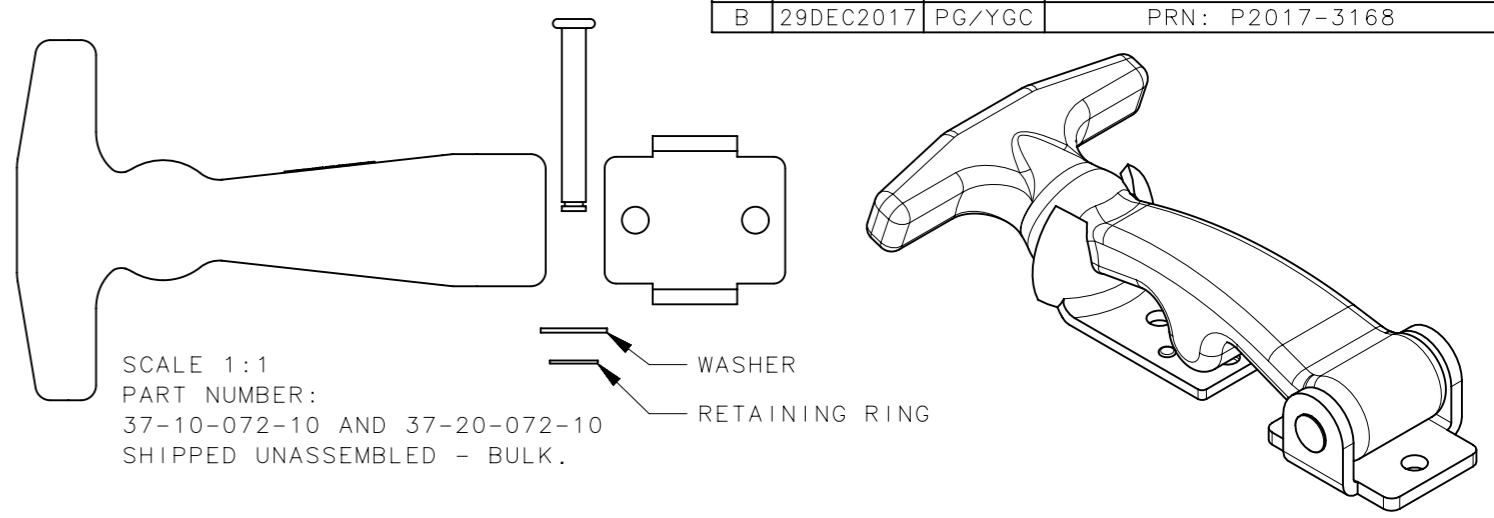
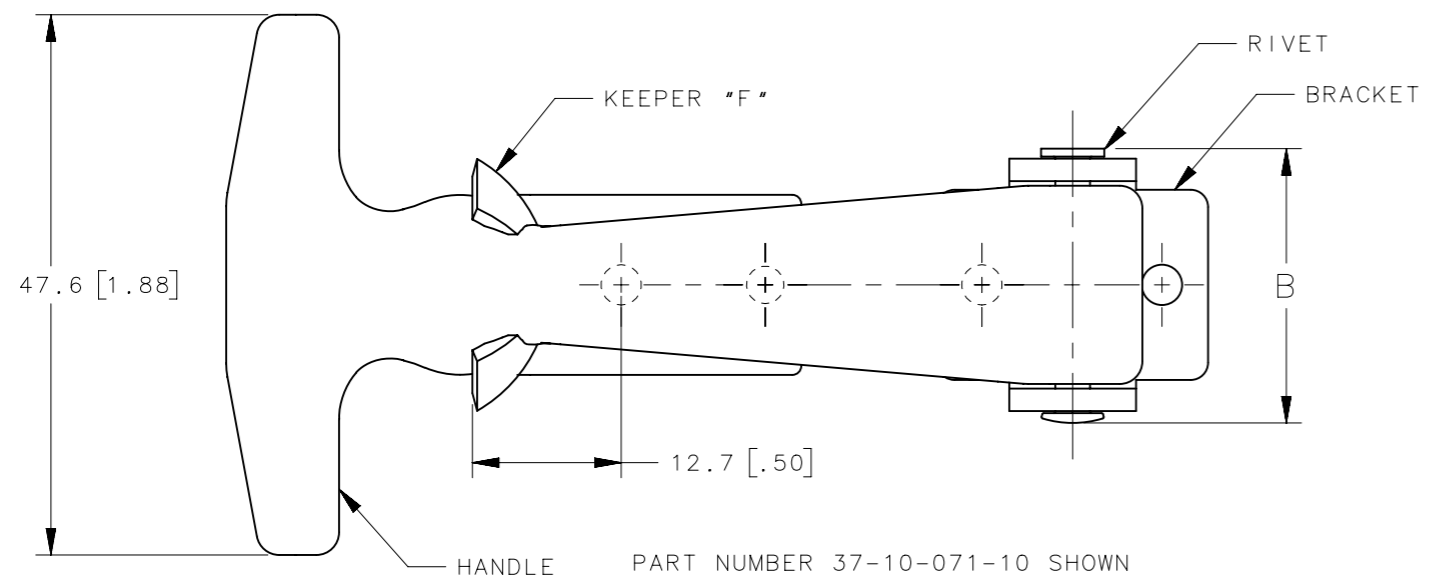
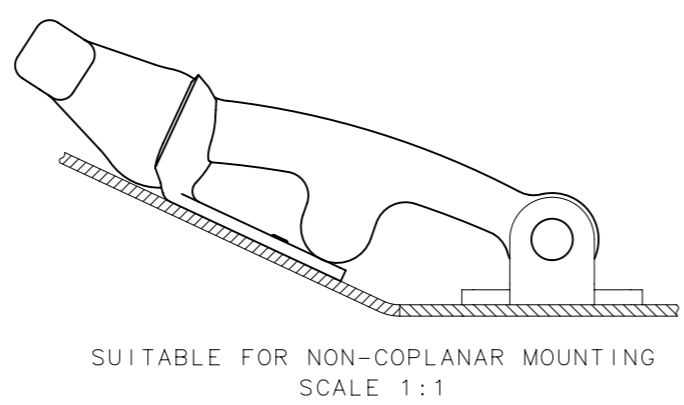
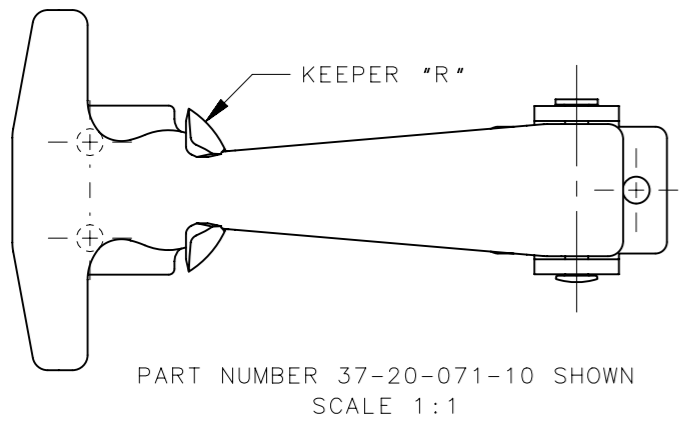


| REVISION HISTORY |           |        |                 |
|------------------|-----------|--------|-----------------|
| REV              | DATE      | BY     | DESCRIPTION     |
| B                | 29DEC2017 | PG/YGC | PRN: P2017-3168 |



**PANEL PREPARATION**

|                |                            |                    |                          |                   |            |             |            |   |
|----------------|----------------------------|--------------------|--------------------------|-------------------|------------|-------------|------------|---|
| 37-20-071-10-P | LATCH ASSEMBLY, SEE NOTE 4 | -                  | -                        | -                 | -          | -           | -          | - |
| 37-20-072-10   | LATCH SHIPPED UNASSEMBLED  | EPDM RUBBER, BLACK | SEE NOTE 2               | SEE NOTE 2        | SEE NOTE 2 | R           | 25.4[1.00] | - |
| 37-10-072-10   | LATCH SHIPPED UNASSEMBLED  | EPDM RUBBER, BLACK | SEE NOTE 2               | SEE NOTE 2        | SEE NOTE 2 | F           | 25.4[1.00] | - |
| 37-25-071-24   | KEEPER                     | -                  | -                        | -                 | SEE NOTE 3 | R           | -          | - |
| 37-11-071-20   | HANDLE SUB-ASSEMBLY        | EPDM RUBBER, BLACK | SEE NOTE 3               | SEE NOTE 3        | -          | -           | -          | - |
| 37-20-071-20   | LATCH, ASSEMBLED           | -                  | -                        | -                 | -          | -           | 24.2[.95]  | - |
| 37-25-071-17   | KEEPER                     | -                  | -                        | -                 | SEE NOTE 2 | R           | -          | - |
| 37-11-071-10   | HANDLE SUB-ASSEMBLY        | EPDM RUBBER, BLACK | SEE NOTE 2               | ALUMINUM, NATURAL | -          | -           | -          | - |
| 37-20-071-10   | LATCH, ASSEMBLED           | -                  | -                        | -                 | -          | -           | 24.2[.95]  | - |
| 37-15-071-24   | KEEPER                     | -                  | -                        | -                 | SEE NOTE 3 | F           | -          | - |
| 37-11-071-20   | HANDLE SUB-ASSEMBLY        | EPDM RUBBER, BLACK | SEE NOTE 3               | SEE NOTE 3        | -          | -           | -          | - |
| 37-10-071-20   | LATCH, ASSEMBLED           | -                  | -                        | -                 | -          | -           | 24.2[.95]  | - |
| 37-15-071-17   | KEEPER                     | -                  | -                        | -                 | SEE NOTE 2 | F           | -          | - |
| 37-11-071-10   | HANDLE SUB-ASSEMBLY        | EPDM RUBBER, BLACK | SEE NOTE 2               | ALUMINUM, NATURAL | -          | -           | -          | - |
| 37-10-071-10   | LATCH, ASSEMBLED           | -                  | -                        | -                 | -          | -           | 24.2[.95]  | - |
| PART NUMBER    | TYPE OF COMPONENT          | HANDLE             | BRACKET MATERIAL, FINISH | RIVET/STUD        | KEEPER     | KEEPER TYPE | B          |   |



- NOTES:
- LATCH PACKAGED ONE HANDLE SUB-ASSEMBLY AND ONE KEEPER PER BAG. FOR BULK PACKAGING: ORDER HANDLE SUB-ASSEMBLY AND KEEPER PART NUMBERS SEPARATELY.
  - STEEL, ZINC PLATE, BRIGHT CHROMATE PLUS SEALER.
  - STAINLESS STEEL, PASSIVATED.
  - PACKAGED ONE UNIT PER BAG

THIRD ANGLE PROJECTION

MILLIMETERS [IN]

TOLERANCES UNLESS OTHERWISE NOTED

ALL DIMENSIONS WITHOUT TOLERANCES ARE FOR REFERENCE ONLY.

PER ASME Y14.5M-1994

**southco**<sup>®</sup>  
CONNECT • CREATE • INNOVATE

DESCRIPTION: 37 FLEXIBLE DRAW LATCH 070 SERIES, T-HANDLE

SIZE: A3 SYSTEM: NX DWG NO.: J-37-070

DRAWN BY: DMS/YGC DATE: 13JAN2016 SCALE: 1.5:1 SHEET: 1 OF 1