

DRAWING NUMBER  
J-48-1-R

SCALE  
N.T.S.

CHKD

DRAWN  
JSS

DATE  
7-7-88

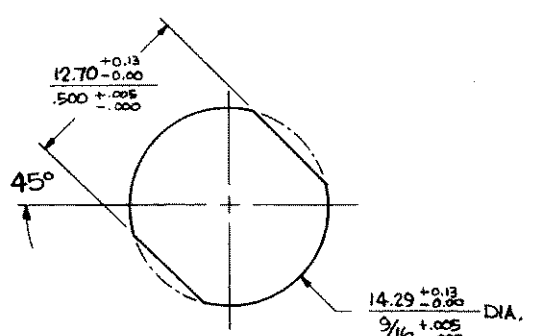
SOUTHCO No. 48 ADJUSTABLE PAWL FASTENER  
WITH RIGHT HAND SCREW (TYPE A)



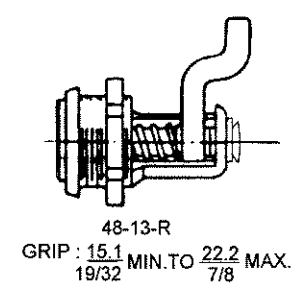
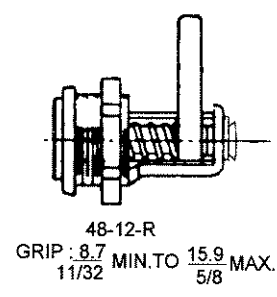
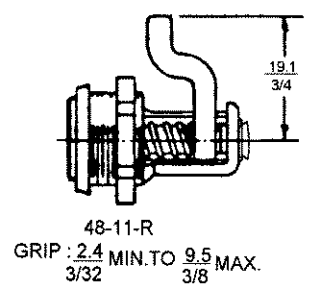
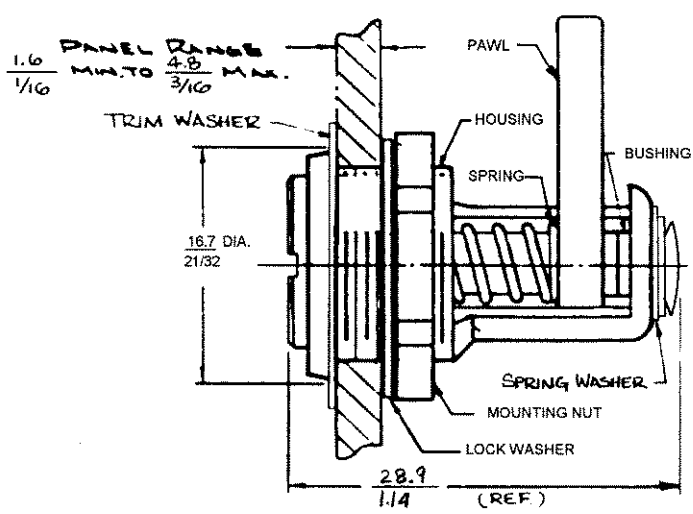
REV. LET.	DATE	BY-CHKD	REVISIONS	REV. LET.	DATE	BY-CHKD	REVISIONS
A	8-4-89	JSS	UPDATED PER PRN: 48-31				
B	1-8-91	JAB	PRN: 48-38				
C	1-21-93	JSK	14-75				

DRAWING NUMBER  
J-48-1-R

ASSEMBLY PART NO.	No. REQ'D	COMPONENTS	PART No.	MATERIAL	FINISH
48-11-R	1	ASSEMBLY			
48-12-R	1	ASSEMBLY			
48-13-R	1	ASSEMBLY			
	1	SCREW		STEEL	ZINC PLATED - BRIGHT
	1	PAWL		STEEL	ZINC PLATED - YELLOW
	1	PAWL		STEEL	ZINC PLATED - YELLOW
	1	HOUSING		ZINC DIECAST	CHEMICAL PROTECTIVE FILM
	1	SPRING WASHER		STAINLESS STEEL	NATURAL
	1	SPRING		STAINLESS STEEL	PASSIVATED
	1	MOUNTING NUT		STEEL	ZINC PLATED - BRIGHT
	1	BUSHING		STEEL	ZINC PLATED - YELLOW
	1	LOCK WASHER		STEEL	ZINC PLATED - BRIGHT
	1	TRIM WASHER		STEEL	ZINC PLATED - BRIGHT



**PANEL PREPARATION**  
ALTERNATE HOLE SHAPE 14.3/16 DIA. ROUND HOLE.



MILLIMETER/INCH      MILLIMETER  
INCH

PROPRIETARY ITEM - EXCEPT FOR USES EXPRESSLY GRANTED IN WRITING, INFORMATION DISCLOSED HEREON IS CONFIDENTIAL AND ALL RIGHTS, PATENT AND OTHERWISE, ARE RESERVED BY SOUTHCO, INC.