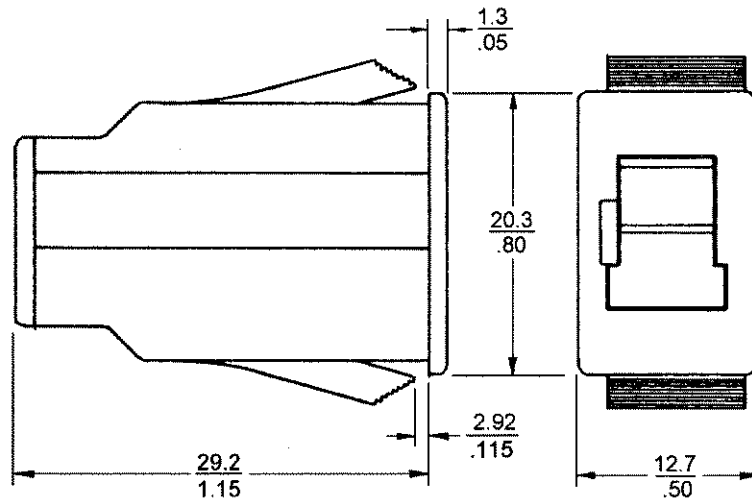
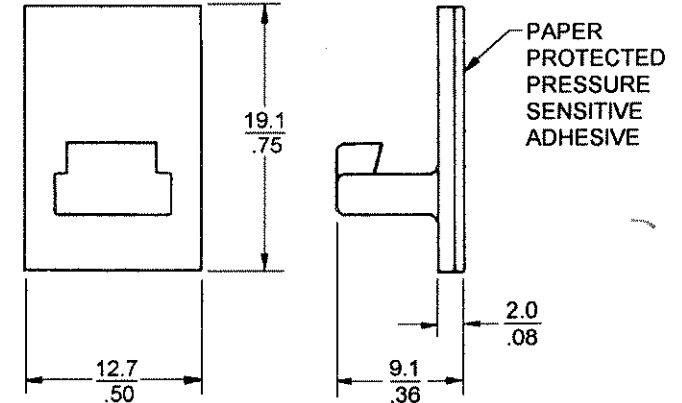


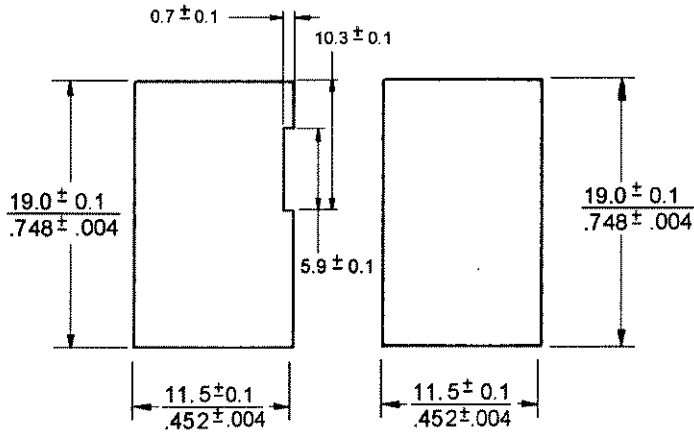
ASSEMBLY PART NO. E4-10-202-10



LATCH ASSEMBLY
(AVAILABLE INDIVIDUALLY
AS PART NO. E4-20-202-10)

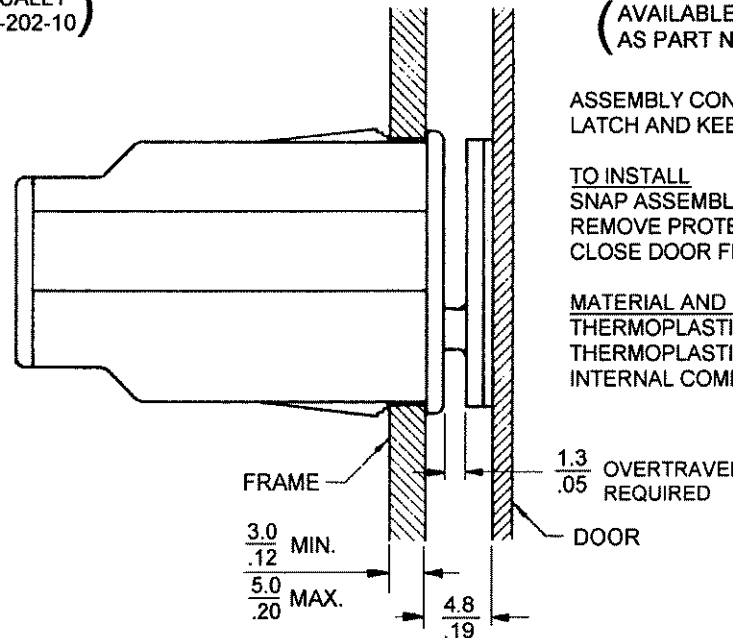


KEEPER ASSEMBLY
(AVAILABLE INDIVIDUALLY
AS PART NO. E4-30-201-10)



ALTERNATE PANEL
PREP. FOR "ONE-WAY"
INSTALLATION

INSTALLATION HOLE
IN FRAME



ASSEMBLY CONSISTS OF ONE PRE-ASSEMBLED LATCH AND KEEPER

TO INSTALL
SNAP ASSEMBLY INTO INSTALLATION HOLE.
REMOVE PROTECTIVE PAPER FROM ADHESIVE.
CLOSE DOOR FIRMLY IN CONTACT WITH KEEPER.

MATERIAL AND FINISH
THERMOPLASTIC COMPONENTS: BLACK ACETAL OR THERMOPLASTIC POLYESTER.
INTERNAL COMPRESSION SPRING: TYPE 302 S/S NATURAL