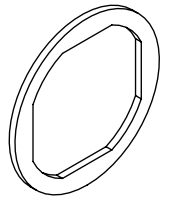
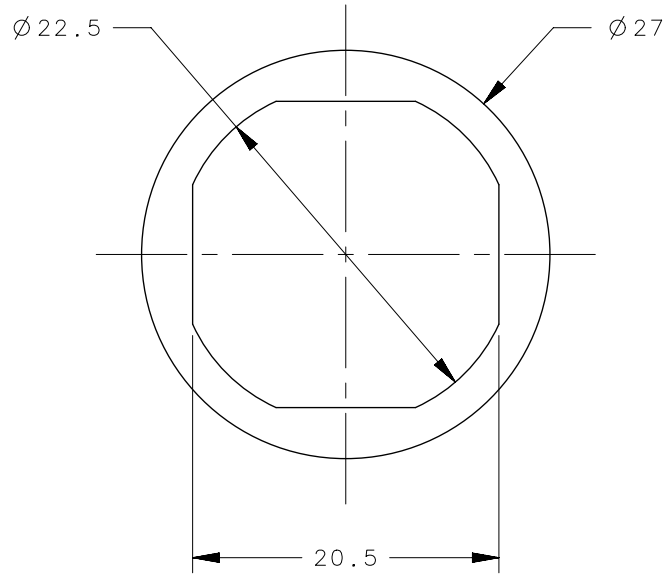
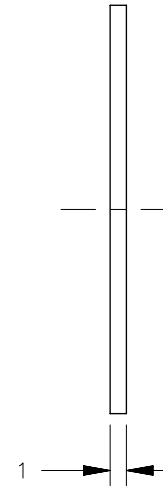


REVISION HISTORY			
REV	DATE	BY	DESCRIPTION
B	11JAN2018	CMS/PDP	PRN: P2018-0111



SCALE 1:1



E5-17-101	GASKET	EPDM 60 DUROMETER	BLUE
E5-17	GASKET	NEOPRENE, 70 DUROMETER	BLACK
PART NUMBER	TYPE OF COMPONENT	MATERIAL	FINISH
	THIRD ANGLE PROJECTION	 CONNECT • CREATE • INNOVATE	
	MILLIMETERS [IN]		
SURFACE AREA	TOLERANCES UNLESS OTHERWISE NOTED	DESCRIPTION FLANGE SEAL GASKET	
VOLUME	ALL DIMENSIONS WITHOUT TOLERANCES ARE FOR REFERENCE ONLY.	SIZE A4	SYSTEM NX
PROPRIETARY ITEM EXCEPT FOR USES EXPRESSLY GRANTED IN WRITING, INFORMATION DISCLOSED HEREON IS CONFIDENTIAL AND ALL RIGHTS, PATENT AND OTHERWISE, ARE RESERVED BY SOUTHCO, INC.	PER ASME Y14.5M-1994	DWG NO. J-E5-17	DATE 26OCT2004
		DRAWN BY MDY/SMM	SCALE 2:1
			SHEET 1 OF 1