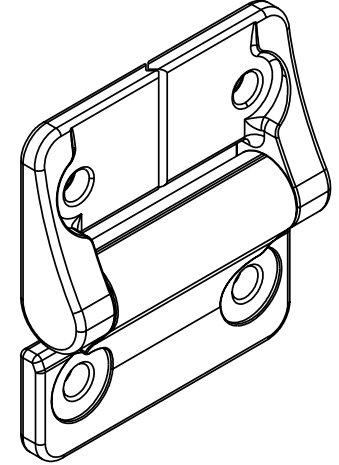
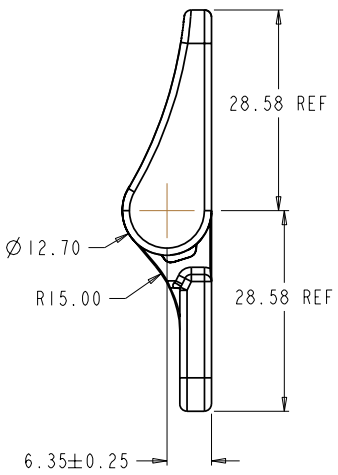
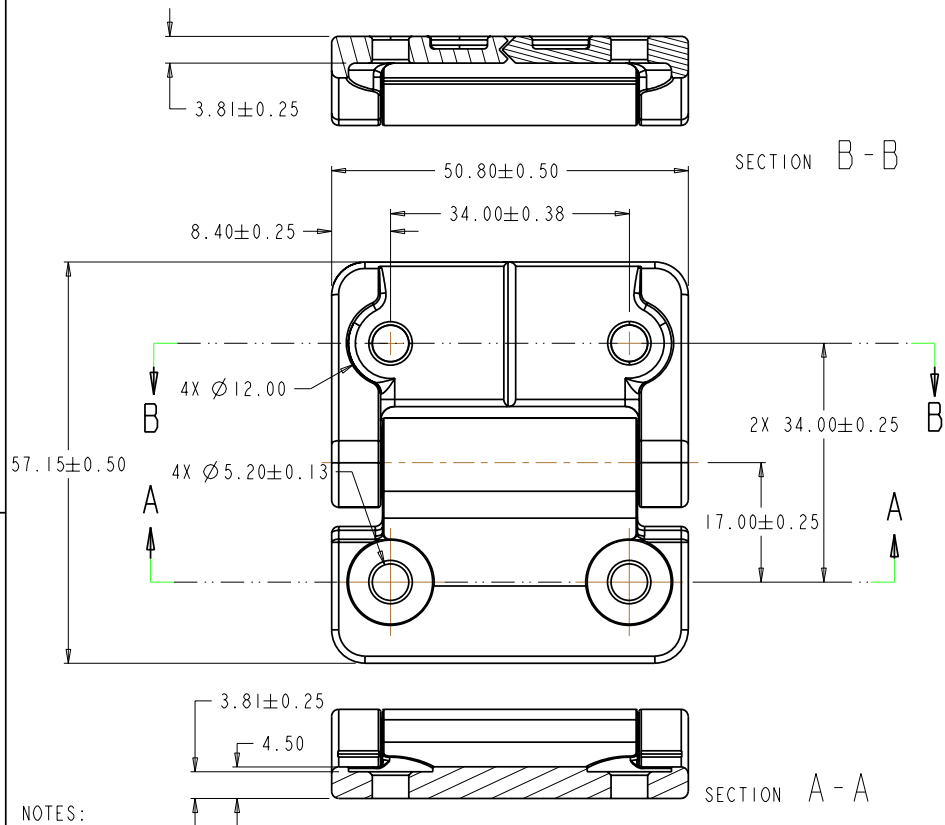


PROPRIETY ITEM - EXCEPT FOR USES EXPRESSLY GRANTED IN WRITING.
 INFORMATION DISCLOSED HEREON IS CONFIDENTIAL AND ALL RIGHTS
 PATENT AND OTHERWISE ARE RESERVED BY SOUTHCO, INC.

REVISION RECORD			
SYMB	DESCRIPTION	BY	DATE



- NOTES:
1. FREE PIVOT HINGE. (TORQUE TO ROTATE LESS THAN 1 lb-in)
 2. MATERIALS USED: ZINC AND STEEL ALLOYS, BUNA-N
 3. SHIPPING POSITION: NA
 4. CYCLE LIFE PERFORMANCE: NA
 5. QUERY 3D CAD FILE FOR UNSPECIFIED DIMENSIONS
 6. COSMETIC SURFACES: BLACK POWDERCOAT

MILLIMETERS UNLESS OTHERWISE SPECIFIED		southco		TITLE HINGE ASSEMBLY	
TOLERANCES:				DWG No J-E6-10-400-50	REVISION
0 - 3<	±0.075	DESIGNER MJC	DRAFTER	MATERIAL	
3 - 10<	±0.10	05AUG05		AS NOTED	
10 - 50<	±0.125	MODEL NAME	SCALE	CALC. WEIGHT/VOL.	
50 - 100<	±0.25	E6-10-400-3	1:500	FORMAT	
100 - 200<	±0.38	3.2 ALL SURFACES EXCEPT AS NOTED		B	
200 - 1000<	±0.50				
ANG	±				