

**southco**

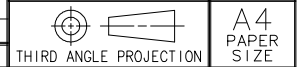
PROPRIETARY ITEM - EXCEPT FOR USES EXPRESSLY GRANTED IN WRITING INFORMATION DISCLOSED HEREON IS CONFIDENTIAL AND ALL RIGHTS PATENT AND OTHERWISE ARE RESERVED BY SOUTHCO, INC.

EH COUNTERSUNK HINGE - 50mm X 50mm

DATE	DRAWN	CHKD	SCALE	DRAWING NUMBER
12JUL2005	AJH		1:1	J-EH-6A-5V5

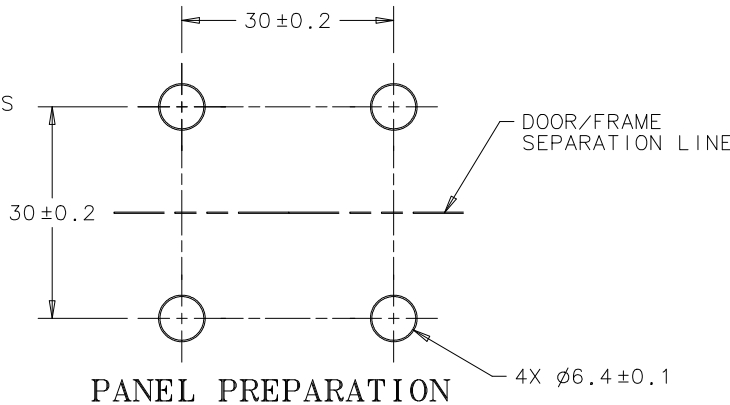
REV	DATE	DRAWN/CHKD	DESCRIPTION	ITEM	PART NUMBER	MATERIAL	FINISH
A	12JUL2005	AJH/RLR	PRN: P2005-0853	HINGE ASSEMBLY	EH-6A-5V5-38	-	-
B	12AUG2005	MJS/RLR	PRN: P2005-1047	LEAF (2)	-	DIE CAST ZINC	CHROME PLATED
C	16SEP2005	MDY/AJH	PRN: P2005-1234	KNURLED PIN	-	STAINLESS STEEL	NATURAL
D	15JUL2009	DUO/BZ	PRN: P2009-0854				
E	17SEP2012	MJS/MSR	PRN: P2012-1226	HINGE ASSEMBLY	EH-6A-5V5-40	-	-
F	03APR2013	DJK/CMS	PRN: P2013-0704	LEAF (2)	-	DIE CAST ZINC	RAL-9010 WHITE
				KNURLED PIN	-	STAINLESS STEEL	NATURAL
				HINGE ASSEMBLY	EH-6A-5V5-50	-	-
				LEAF (2)	-	DIE CAST ZINC	BLACK POWDER COATED
				KNURLED PIN	-	STAINLESS STEEL	NATURAL

**MILLIMETERS**  
ALL DIMENSIONS WITHOUT TOLERANCES ARE FOR REFERENCE ONLY.

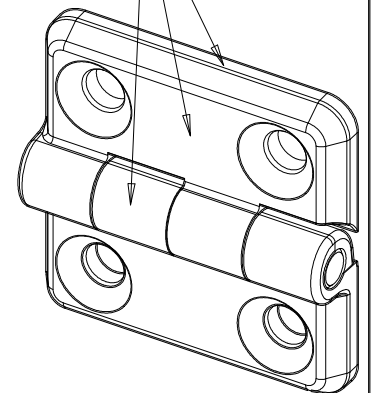


NOTES:

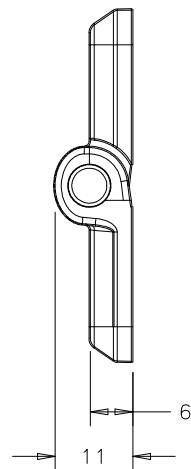
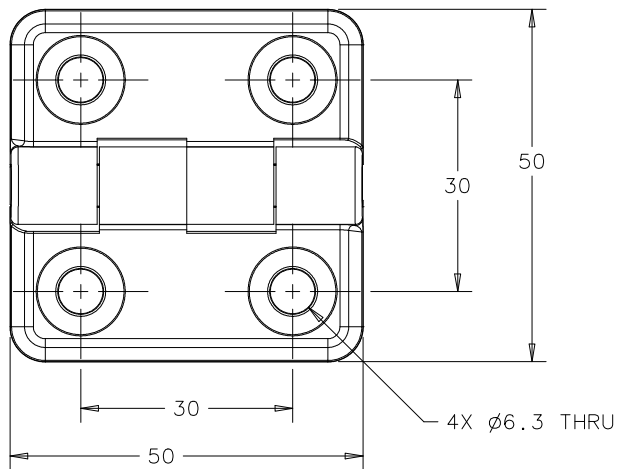
- A. COSMETIC SPECIFICATION:  
CLASS "B" - NON-DECORATIVE AREAS IN CONTINUOUS VIEW AFTER INSTALLATION.  
CLASS "D" - AREAS SELDOM OR NEVER VIEW AFTER INSTALLATION. THIS COULD INCLUDE PARTING LINES AND EJECTOR PIN MARKS
- B. PACKAGING: TRAY PACKAGED SHIPPED (50) PER BOX.
- C. RoHS COMPLIANT.



CLASS "B" AREAS (TOP AND SIDE SURFACES NOT INCLUDING PARTING LINES)



PANEL PREPARATION



CLASS "D" AREAS (BOTTOM SURFACES)

