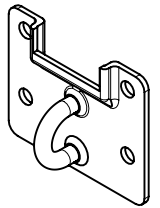
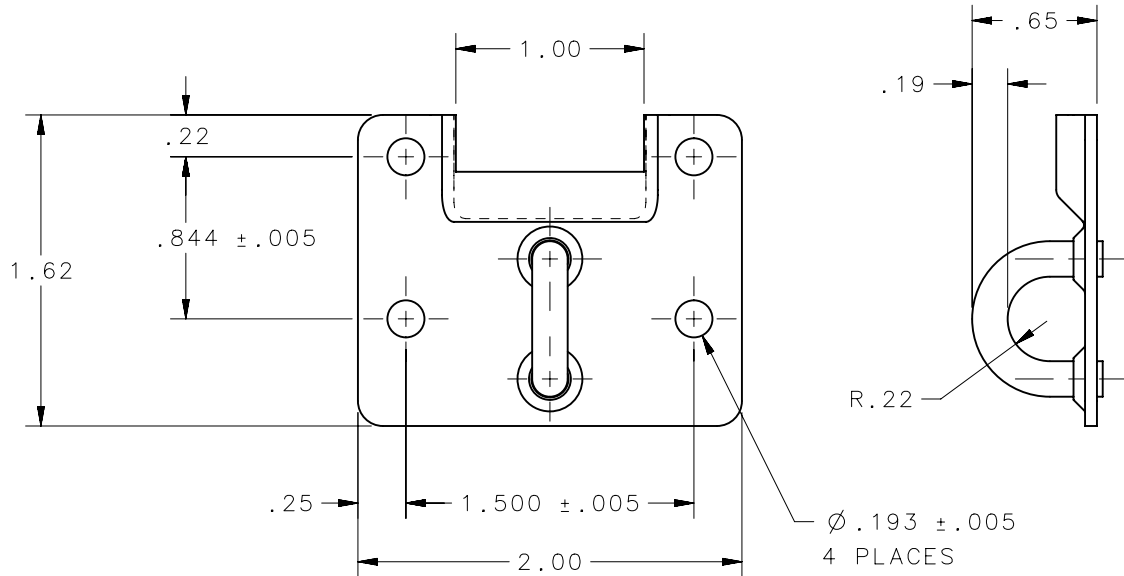


REVISION HISTORY			
REV	DATE	BY	DESCRIPTION
F	18FEB2013	MWC/YGC	PRN: P2013-0440



SCALE 1:2



K5-1736-77		CARBON STEEL	ZINC NICKEL PLATE, YELLOW CHROMATE DIP.	
K5-1736-07			ZINC PLATE, BRIGHT CHROMATE DIP.	
SOUTHCO PART NUMBER		MATERIAL	FINISH	
THIRD ANGLE PROJECTION		 CONNECT • CREATE • INNOVATE		
INCHES [MM]				
TOLERANCES UNLESS OTHERWISE NOTED		DESCRIPTION KEEPER PLATE LOCKABLE		
SURFACE AREA		ALL DIMENSIONS WITHOUT TOLERANCES ARE FOR REFERENCE ONLY.		
VOLUME		SIZE A	SYSTEM NX	DWG NO. J-K5-1736
PROPRIETARY ITEM <small>EXCEPT FOR USES EXPRESSLY GRANTED IN WRITING, INFORMATION DISCLOSED HEREON IS CONFIDENTIAL AND ALL RIGHTS, PATENT AND OTHERWISE, ARE RESERVED BY SOUTHCO, INC.</small>		DRAWN BY PEK	DATE 08JUL1992	SCALE 1:1
PER ASME Y14.5M-1994		SHEET 1 OF 1		