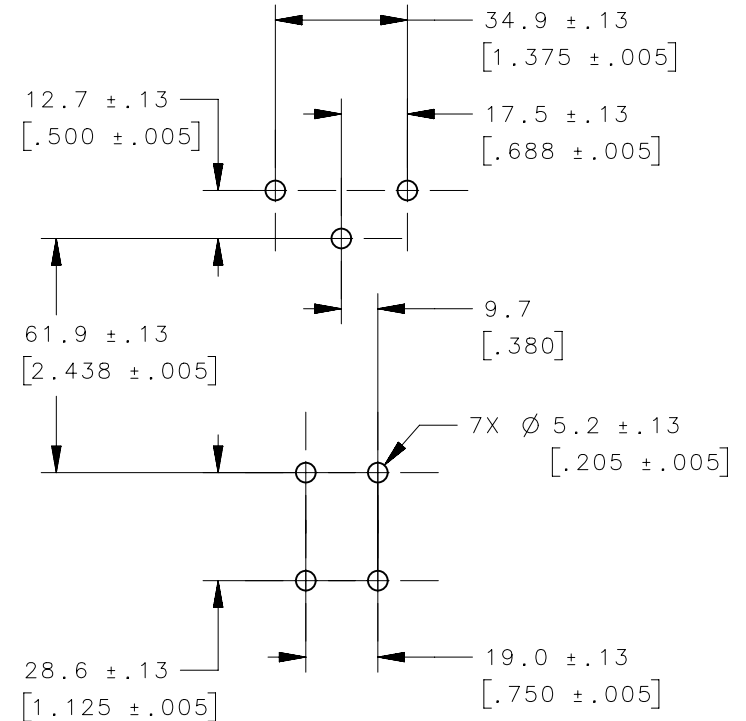
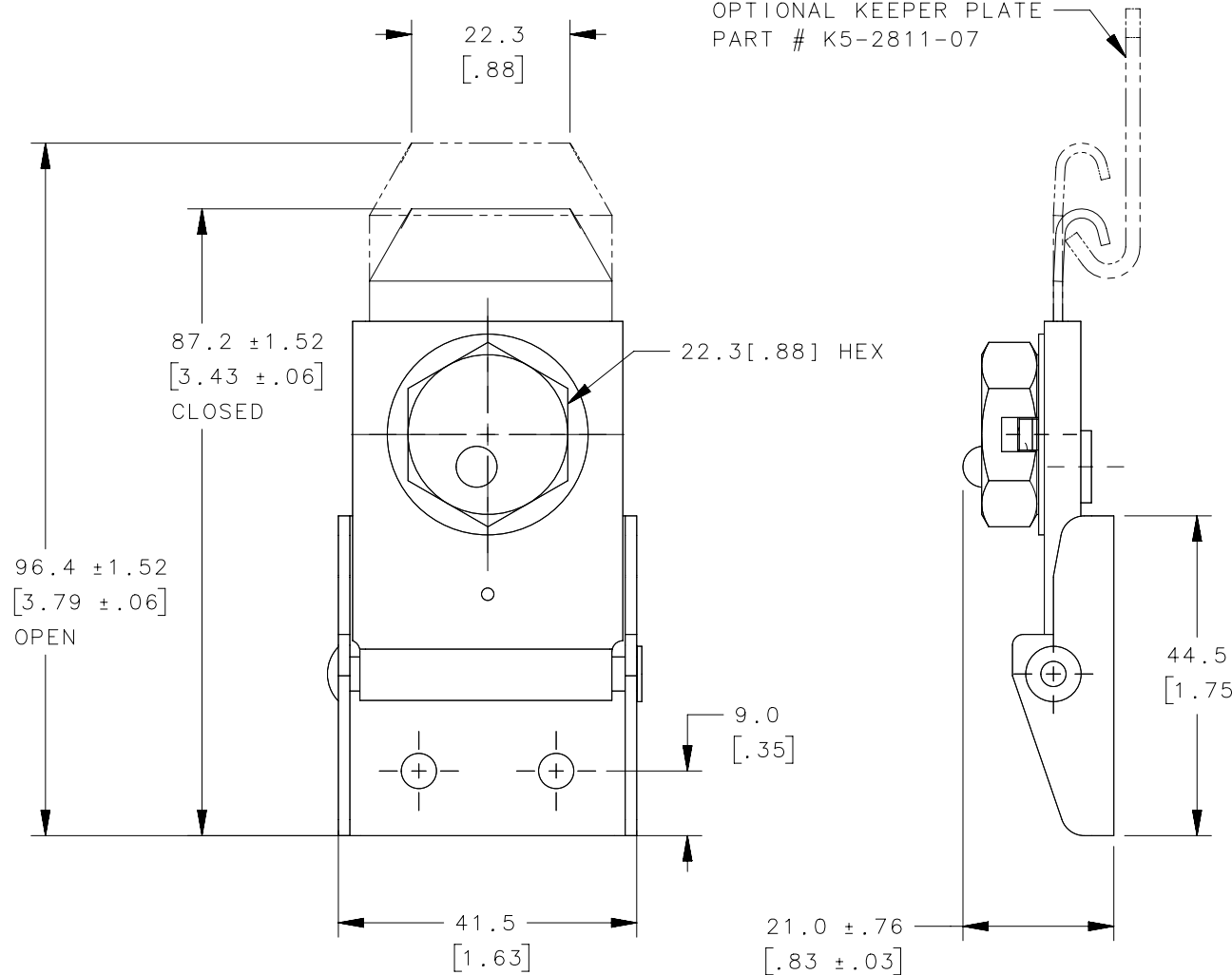


REVISION HISTORY			
REV	DATE	BY	DESCRIPTION
B	11 JAN 2012	DMS/YGC	PRN: P2012-0019

OPTIONAL KEEPER PLATE  
PART # K5-2811-07

SUGGESTED PANEL PREPARATION



SCALE 0.5:1

K5-2818-07	SEE NOTES	SEE NOTES
PART NUMBER	MATERIAL	FINISH

NOTES:  
MATERIAL AND FINISH:  
ANCHOR PLATE, WING, ANCHOR PLATE RIVET AND LOWER CAM ARE CARBON STEEL:  
ZINC PLATE, BRIGHT CHROMATE DIP.  
HOUSING AND SLIDE ARE HARDENED ALLOY STEEL:  
ZINC PLATE, BRIGHT CHROMATE DIP.  
UPPER CAM IS POWDER METAL:  
ZINC PLATE, BRIGHT CHROMATE DIP.  
CAM RIVET IS STAINLESS STEEL.

	THIRD ANGLE PROJECTION
	MILLIMETERS [IN]
	TOLERANCES UNLESS OTHERWISE NOTED
	ALL DIMENSIONS WITHOUT TOLERANCES ARE FOR REFERENCE ONLY.
PROPRIETARY ITEM EXCEPT FOR USES EXPRESSLY GRANTED IN WRITING, INFORMATION DISCLOSED HEREON IS CONFIDENTIAL AND ALL RIGHTS, PATENT AND OTHERWISE, ARE RESERVED BY SOUTHCO, INC.	PER ASME Y14.5M-1994

<b>southco</b> <sup>®</sup> CONNECT • CREATE • INNOVATE			
DESCRIPTION #2 LINK LOCK RIVET ANCHOR PLATE			
SIZE A4	SYSTEM NX	DWG NO. J-K5-2818	
DRAWN BY BWP	DATE 7 JUL 92	SCALE 1:1	SHEET 1 OF 1