

6

5

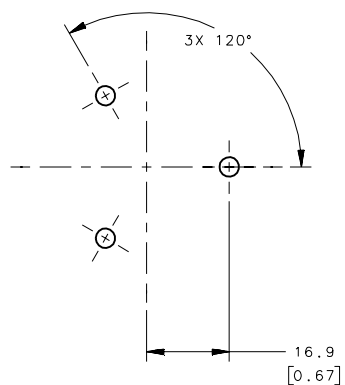
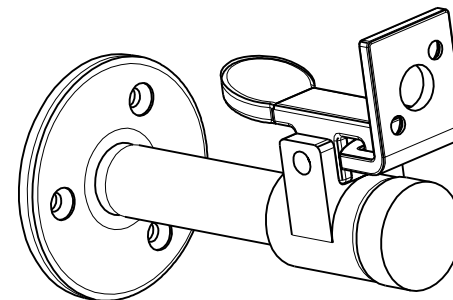
4

3

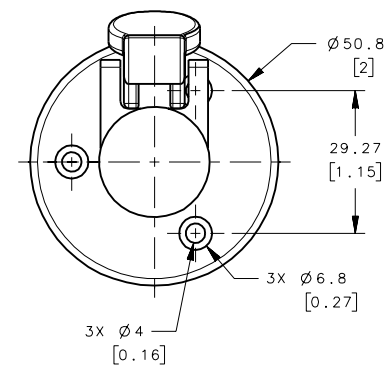
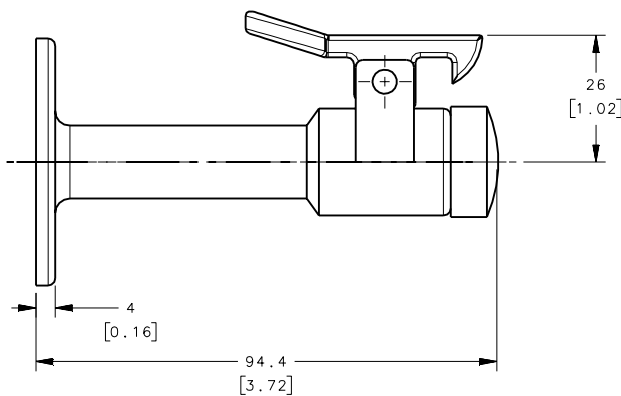
2

1

REVISION HISTORY			
REV	DATE	BY	DESCRIPTION
A	12JAN2009	RLR	PRN: P2008-1332



PANEL PREPARATION



NOTES:

A. MATERIAL AND FINISH:

BUMPER - RUBBER
 SPRING - 304 STAINLESS STEEL, PASSIVATED.
 STRIKER, PAWL, AND BASE - CF-8M STAINLESS STEEL (NOMINAL CAST EQUIVALENT OF 316 STAINLESS STEEL), POLISHED.

M5-10-262-8	ASSEMBLY	SEE NOTE A	SEE NOTE A		
SOUTHCO PART NUMBER	ITEM	MATERIAL	FINISH		
	THIRD ANGLE PROJECTION				
	MILLIMETERS [IN]				
SURFACE AREA	TOLERANCES UNLESS OTHERWISE NOTED	DESCRIPTION			
VOLUME	ALL DIMENSIONS WITHOUT TOLERANCES ARE FOR REFERENCE ONLY.	DOOR STOP CATCH 85mm HORIZONTAL			
PROPRIETARY ITEM	PER ASME Y14.5M-1994	SIZE	SYSTEM	DWG NO.	
EXCEPT FOR USES EXPRESSLY GRANTED IN WRITING, INFORMATION DISCLOSED HEREON IS CONFIDENTIAL AND ALL RIGHTS, PATENT AND OTHERWISE, ARE RESERVED BY SOUTHCO, INC.		B	NX	J-M5-10-262	
		DRAWN BY	DATE	SCALE	SHEET
		RLR	12JAN2009	1:1	1 OF 1

6

5

4

3

2

1