

REV	DATE	DRAWN/CHKD	DESCRIPTION	ITEM	PART NUMBER	MATERIAL	FINISH
K	30JUN2004	JDD/AJH	PRN: P2004-0706	ASSEMBLY	56-10-XXX-20	-	-
L	12APR2005	BRP/RLR	PRN: P2005-0589	KNOB		ALUMINUM	NATURAL
M	22AUG2007	VMV/VGV	PRN: P2007-1084	STUD		STEEL	SEE NOTE A
				SHELL		STEEL	SEE NOTE A
				SLEEVE		STEEL	SEE NOTE A
				SPRING		STAINLESS	NATURAL
				DETENT WASHER		STEEL	ZINC FLAKE COATING

**MILLIMETERS**

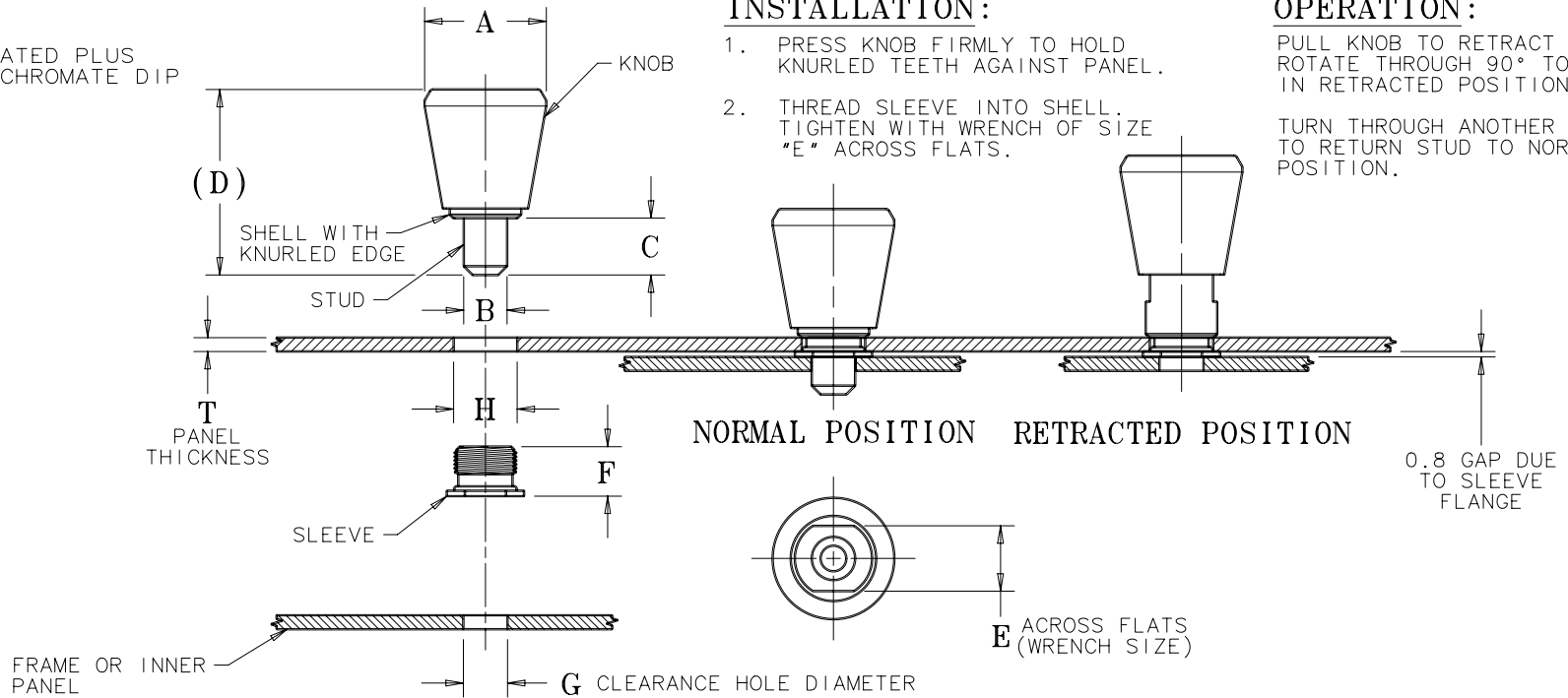
ALL DIMENSIONS WITHOUT TOLERANCES ARE FOR REFERENCE ONLY.

THIRD ANGLE PROJECTION

A4 PAPER SIZE

**NOTES:**

A. ZINC PLATED PLUS BRIGHT CHROMATE DIP



**INSTALLATION:**

1. PRESS KNOB FIRMLY TO HOLD KNURLED TEETH AGAINST PANEL.
2. THREAD SLEEVE INTO SHELL. TIGHTEN WITH WRENCH OF SIZE "E" ACROSS FLATS.

**OPERATION:**

PULL KNOB TO RETRACT STUD. ROTATE THROUGH 90° TO KEEP IN RETRACTED POSITION.

TURN THROUGH ANOTHER 90° TO RETURN STUD TO NORMAL POSITION.

PART NUMBER	T MIN	T MAX	H ±0.08	A	B	C	(D)	E	F	G <sup>+0.08</sup> / <sub>-0.03</sub>
56-10-301-20	0.64	1.52	7.14	13.5	4.65	6.4	19.8	7.1	5.6	4.78
56-10-401-20	0.79	3.18	9.12	17.5	6.22	7.92	26.2	9.5	7.1	6.35