



PROPRIETARY ITEM - EXCEPT FOR USES EXPRESSLY GRANTED IN WRITING INFORMATION DISCLOSED HEREON IS CONFIDENTIAL AND ALL RIGHTS PATENT AND OTHERWISE ARE RESERVED BY SOUTHCO, INC.

SNAP-IN PULL

DATE: 11JUL2000
 DRAWN: NW
 CHKD:
 SCALE: 1:1

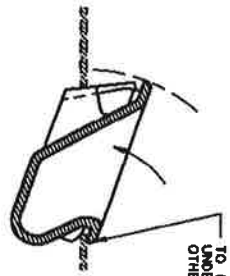
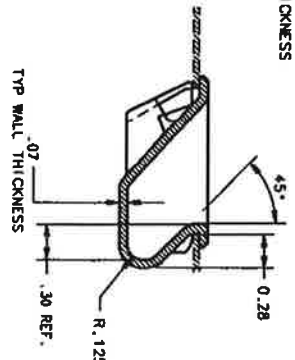
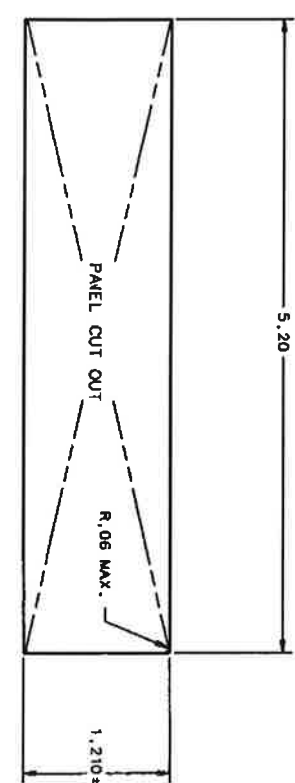
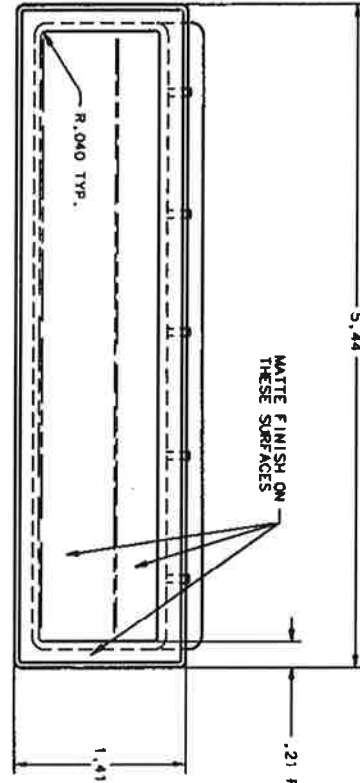
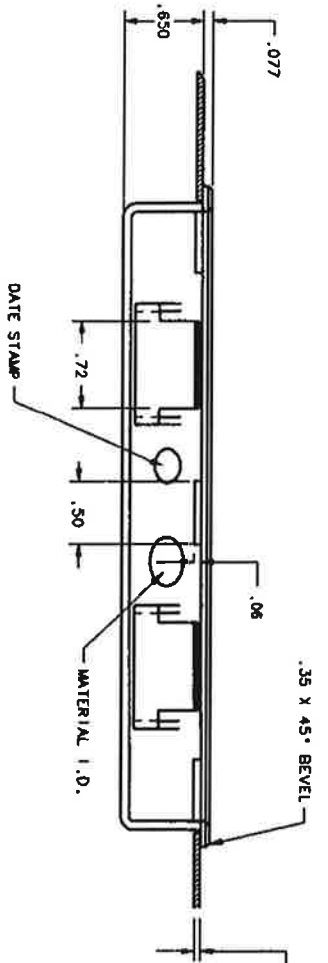
DRAWING NUMBER: J-P2-5

REV.	DATE	DRAWN	REVISION	PART NUMBER	MATERIAL	COLOR	FINISH	PANEL THICKNESS	VTORNESS
A	28AUG88	JHV	ADDED INSTAL. NOTE & VIEW	P2-51	HIGH IMPACT ABS	BLACK	LOW GLOSS	.040	.055
B	07JAN89	JHV	ADDED PANEL THK. MIN. - MAX.	P2-51-1	ABS/FR	BLACK	LOW GLOSS	.040	.055
C	30MAY89	JHV	PRN: P2-01	P2-52	HIGH IMPACT ABS	BLACK	LOW GLOSS	.055	.070
D	03JAN91	JMR	PRN: P2-03	P2-52-1	ABS/FR	BLACK	LOW GLOSS	.055	.070
E	12MAR91	AAB	PRN: P2-04	P2-53	HIGH IMPACT ABS	BLACK	LOW GLOSS	.070	.085
F	18MAR94	CIB/JSS	PRN: P2-09	P2-53-1	ABS/FR	BLACK	LOW GLOSS	.070	.085
G	23OCT95	PCB	PRN: P2-26	P2-54	HIGH IMPACT ABS	BLACK	LOW GLOSS	.085	.100
H	11JUL2000	NW	PRN: P2-79	P2-54-1	ABS/FR	BLACK	LOW GLOSS	.085	.100

ALL DIMENSIONS ARE IN IN.
 DIMENSIONS WITHOUT TOLERANCE ARE FOR REFERENCE ONLY.

THIRD ANGLE PROJECTION

A3 PAPER SIZE



TO INSTALL: ENGAGE EDGE OF OPENING UNDER THIS SIDE OF FLANGE AND SEAT OTHER SIDE WITH ROCKING MOTION.

NOTES: PULL IS SHIPPED BULK.
 FOR PULL TO BE PACKAGED FOR PER BAG ADD SUFFIX "-P" TO THE PART NUMBER.