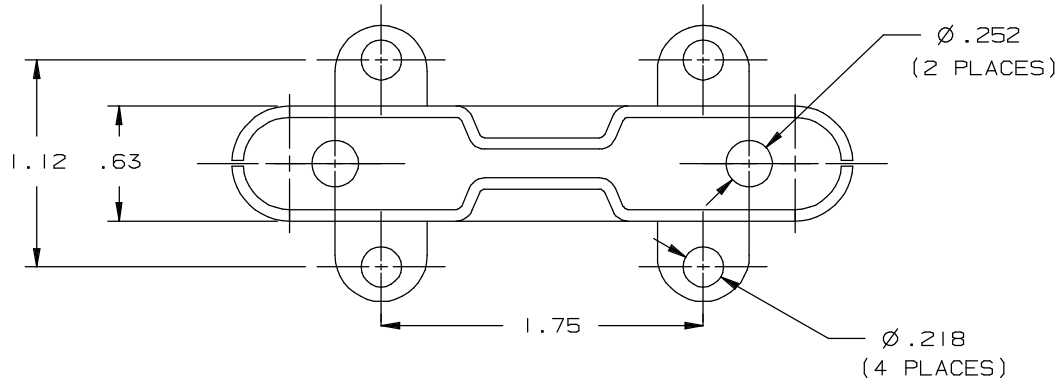




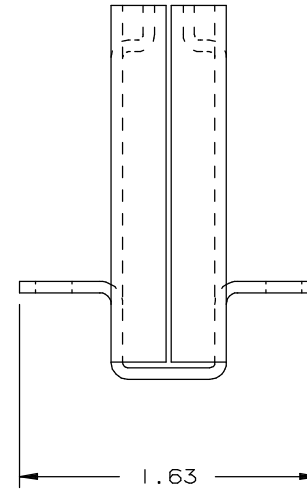
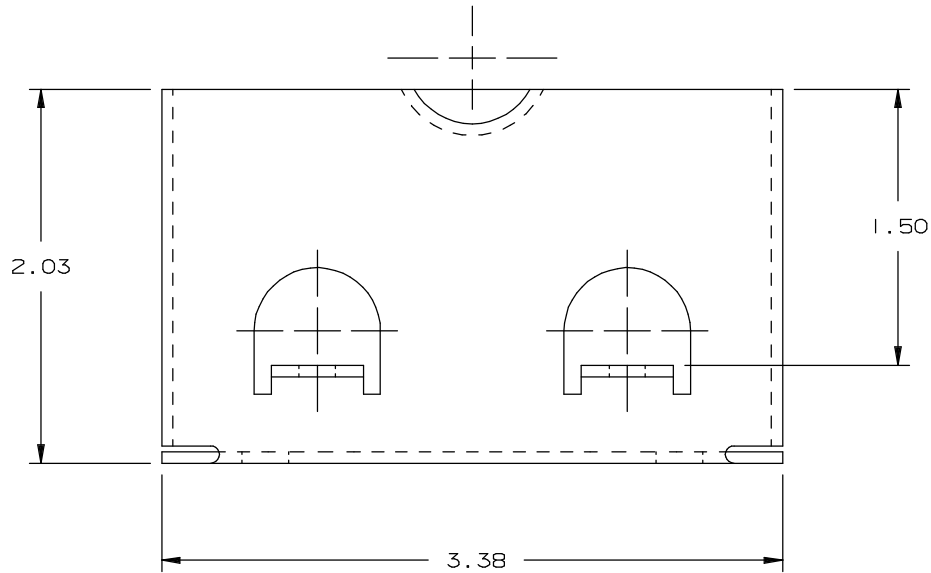
ROTO LOCK

DATE	DRAWN	CHKD	SCALE	DRAWING NUMBER
09NOV93	KWC		FULL	J-R2-0160

REV.	DATE	BY-CHKD	REVISIONS	NUMBER	MATERIAL	FINISH			
A	07JUN96	MSB	PRN: R2-12	R2-0160-02	SEE NOTE A	SEE NOTE A			



NOTE A: MATERIAL & FINISH - CARBON STEEL, ZINC PLATED PLUS BRIGHT CHROMATE FINISH.



FORMAT A | MAR 94

PROPRIETARY ITEM - EXCEPT FOR USES EXPRESSLY GRANTED IN WRITING
 INFORMATION DISCLOSED HEREON IS CONFIDENTIAL AND ALL RIGHTS PATENT
 AND OTHERWISE ARE RESERVED BY SOUTHCO, INC.

ALL DIMENSIONS ARE IN INCHES
 ALL DIMENSIONS WITHOUT TOLERANCE ARE REFERENCE
 THIRD ANGLE PROJECTION

DRAWING NUMBER
 J-R2-0160