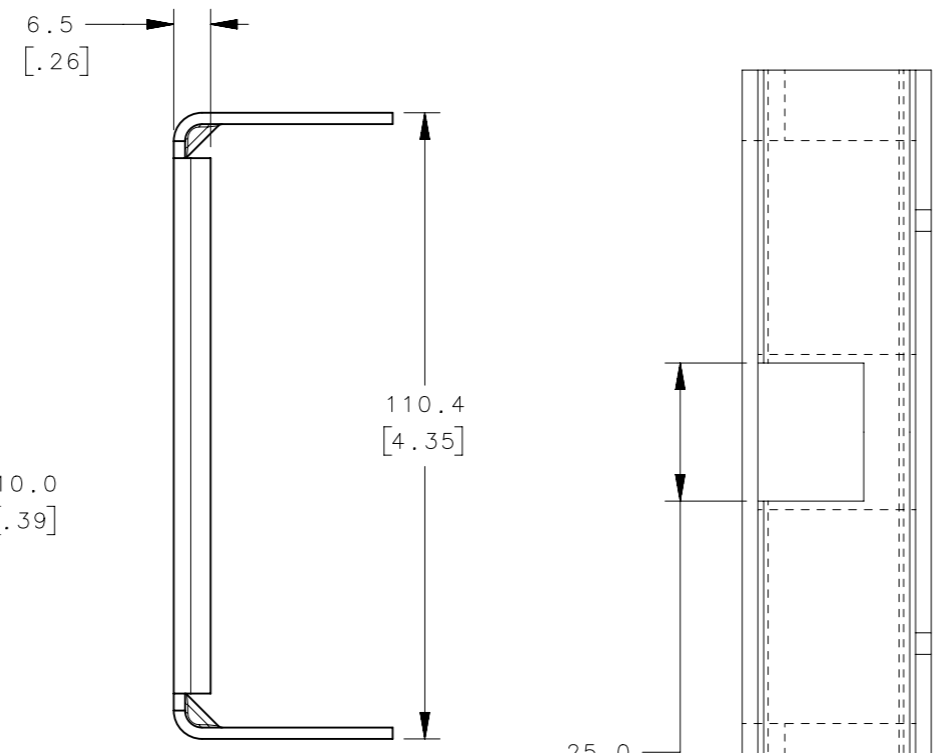
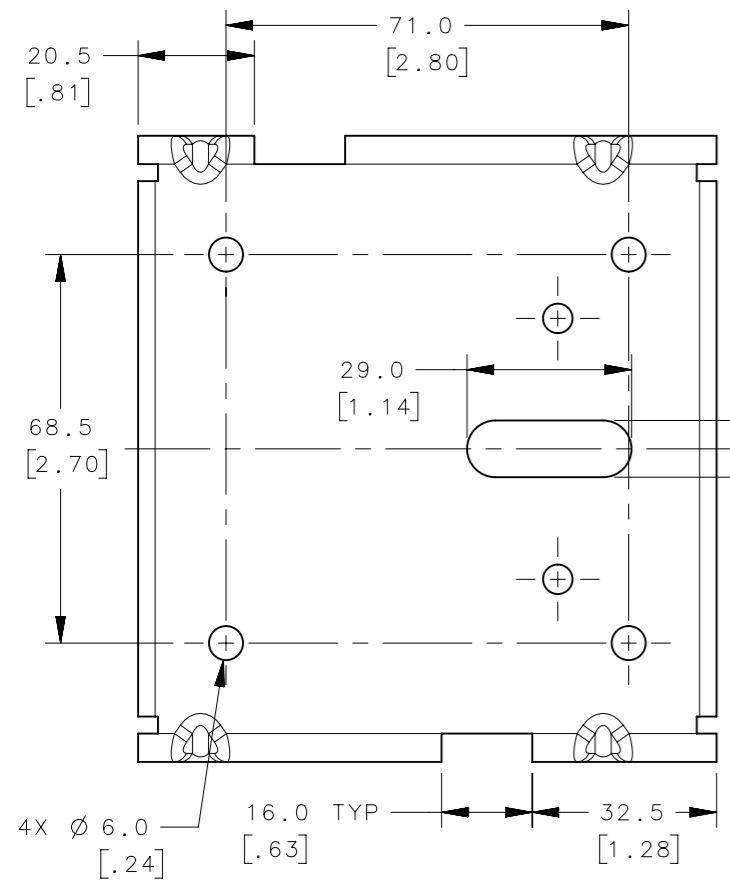
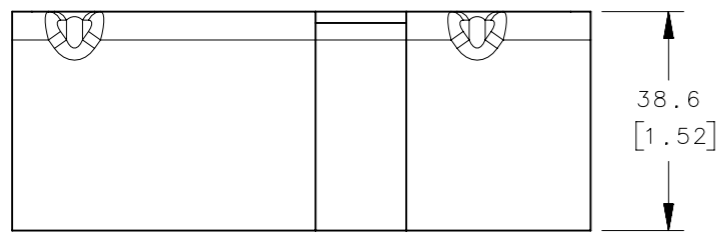
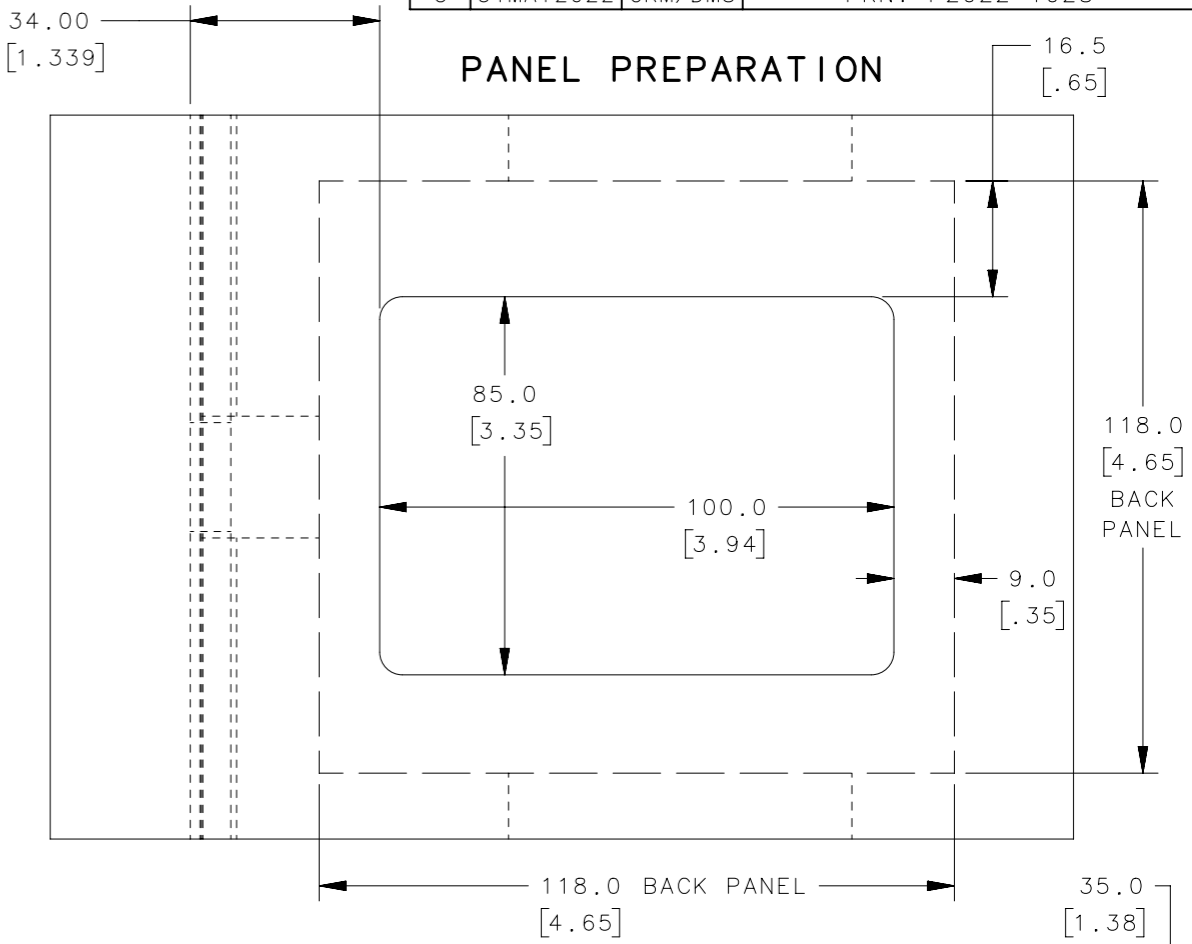


REVISION HISTORY			
REV	DATE	BY	DESCRIPTION
C	31MAY2022	CRM/DMS	PRN: P2022-1028

U SHAPED MOUNTING BRACKET PART NO. R3-23-161-11



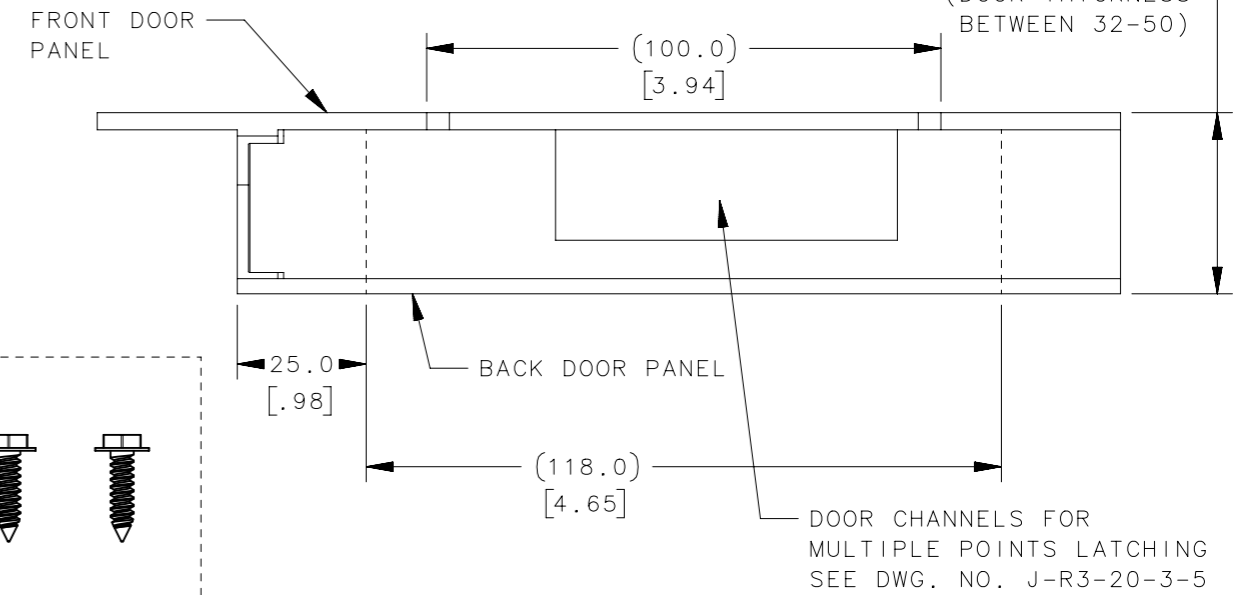
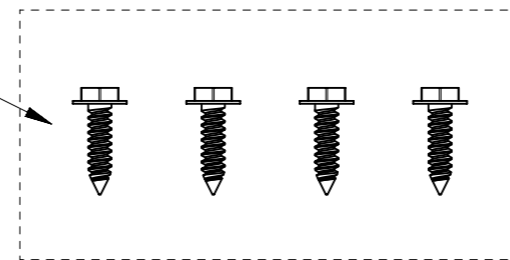
U SLIDING PAWL CHANNEL IN THE DOOR



DOOR THICKNESS inch (mm)	#8 SELF-TAPPING SCREW PART NO.
1/16" (1.5mm) - 3/16" (4.8mm)	5/8" (16mm) PART NO. R3-23-250-01
3/16" (4.8mm) - 3/8" (9.5mm)	3/4" (19mm) PART NO. R3-23-250-02

SCREW MAX TIGHTENING TORQUE  
2.8 Nm (25 lbf-in)

HARDWARE: 4 SELF-TAPPING  
SCREW PER BRACKET, ZINC PLATED.  
SEE TABLE FOR PART NO.



- NOTES:
- MATERIAL AND FINISH: MOUNTING BRACKET IS STEEL (SHEET METAL), ZINC PLATED
  - U SHAPED MOUNTING BRACKET PART NO R3-23-161-11 AND HARDWARE ARE ORDERED SEPARATELY. THIS BRACKET ATTACH/MOUNT THE BDL TO THE FRONT DOOR PANEL/SHEET, MINIMUM FRONT PANEL THICKNESS 1.5 mm (1/16"). SEE PANEL PREPARATION FOR DETAILS AND TABLE FOR HARDWARE (SELF TAPPING SCREWS) PART NO.
  - INSTALLATION INSTRUCTIONS: PREPARE THE RECTANGULAR HOLE IN THE DOOR PANEL AS DESCRIBED IN THIS DRAWING. USE THE U SHAPED MOUNTING BRACKET PART (BDL) ASSEMBLY THROUGH THE FRONT PANEL OFEN PAG. NOS R3-23-161-11, INSERT THE BAGGAGE DOOR LATCH BACK DOOR PANEL OPENING AND SECURE BOTH OPENING, INSERT THE U SHAPED MOUNTING BRACKET THROUGH THE ON THE DOOR PANEL USING FOUR (4) #8 SELF-TAPPING SCREWS. MAKE SURE THE PAWL L HOUSING IS SEATED IN THE US SHAPED CHANEL. ADJUST THE FRONT PAWL HOUSING EDGE OF THE E HOUSING AT THE SAME LEVEL/HEIGHT WITH DOOR FRAME OPENING SURFACE AND TIGHTEN THE SCREW. MAKE SURE THE BDL IS VERTICAL AND HORIZONTAL ALIGNED. MAXIMUM RECOMMENDED TIGHTENING TORQUE ON MOUNTING SCREWS IS 2.8 Nm (25 IN LBS).
  - BY USING THE U SHAPED MOUNTING BRACKET SHOWN. THE BDL IS SUITABLE FOR DOOR THICKNESSES BETWEEN 25mm TO 50mm (1.0 TO 2.0 INCHES) WITH FRONT SHEET THICKNESS 1.5 mm (1/16) TO 9.5 mm (3/8").

R3-23-161-11	SEE NOTE 1	SEE NOTE 1
PART NUMBER	MATERIAL	FINISH
THIRD ANGLE PROJECTION		
MILLIMETERS [IN]		
TOLERANCES UNLESS OTHERWISE NOTED		DESCRIPTION
ALL DIMENSIONS WITHOUT TOLERANCES ARE FOR REFERENCE ONLY.		U-SHAPED MOUNTING BRACKET, R3-BDL
PROPRIETARY ITEM	SIZE A3	SYSTEM NX
EXCEPT FOR USES EXPRESSLY GRANTED IN WRITING, INFORMATION DISCLOSED HEREON IS CONFIDENTIAL AND ALL RIGHTS, PATENT AND OTHERWISE, ARE RESERVED BY SOUTHCO, INC.	PER ASME Y14.5M-1994	DWG NO. J-R3-20-3-3
DRAWN BY EV		DATE 10JUN2006
SCALE 3:4		SHEET 1 OF 1