

southco®

PROPRIETARY ITEM - EXCEPT FOR USES EXPRESSLY GRANTED IN WRITING INFORMATION DISCLOSED HEREON IS CONFIDENTIAL AND ALL RIGHTS PATENT AND OTHERWISE ARE RESERVED BY SOUTHCO, INC.

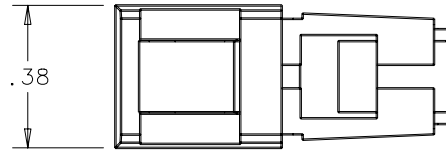
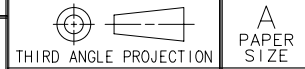
SOUTHCO No. 60 PUSH TO CLOSE LATCH

DATE	DRAWN	CHKD	SCALE	DRAWING NUMBER
1-18-69	JGK	RHG	2:1	J-60-10-101-12

REV	DATE	DRAWN/CHKD	DESCRIPTION	ITEM	PART NUMBER	MATERIAL	COLOR
H	31OCT2003	AJH/DLH	PRN: P2003-0973	ASSEMBLY	60-10-101-12		
				CATCH		ACETAL	BLACK
				SHELL		ACETAL	BLACK
				ASSEMBLY	60-10-101-28		
				CATCH		ACETAL	PORT RED
				SHELL		ACETAL	PORT RED

INCHES

ALL DIMENSIONS WITHOUT TOLERANCES ARE FOR REFERENCE ONLY.

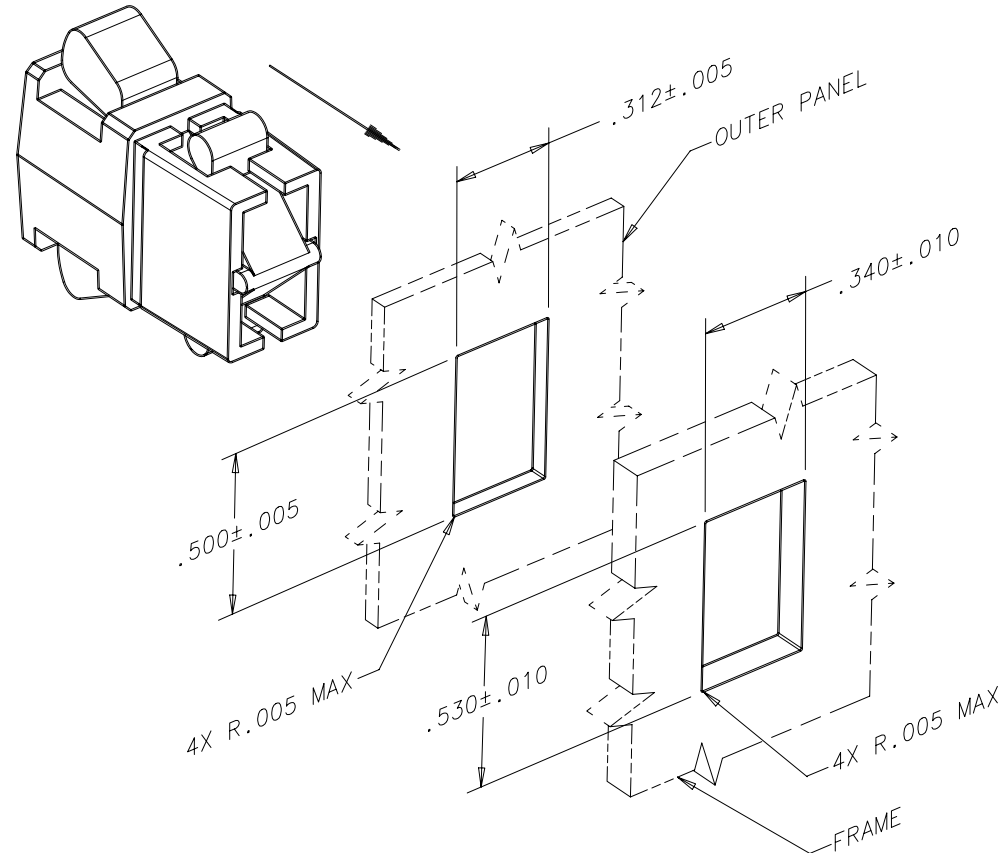
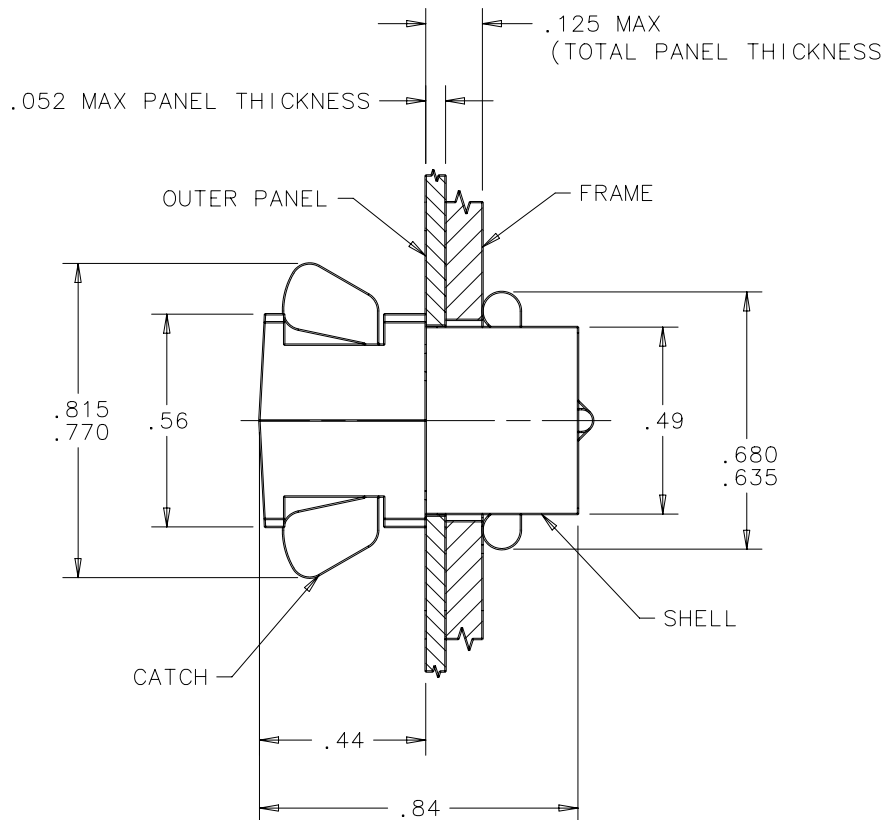


TO INSTALL:

SNAP ASSEMBLY INTO HOLE IN OUTER PANEL

TO OPERATE:

SLAM TO CLOSE, SQUEEZE TO RELEASE



PANEL PREPARATION