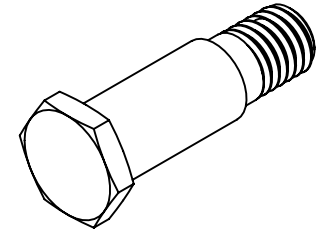
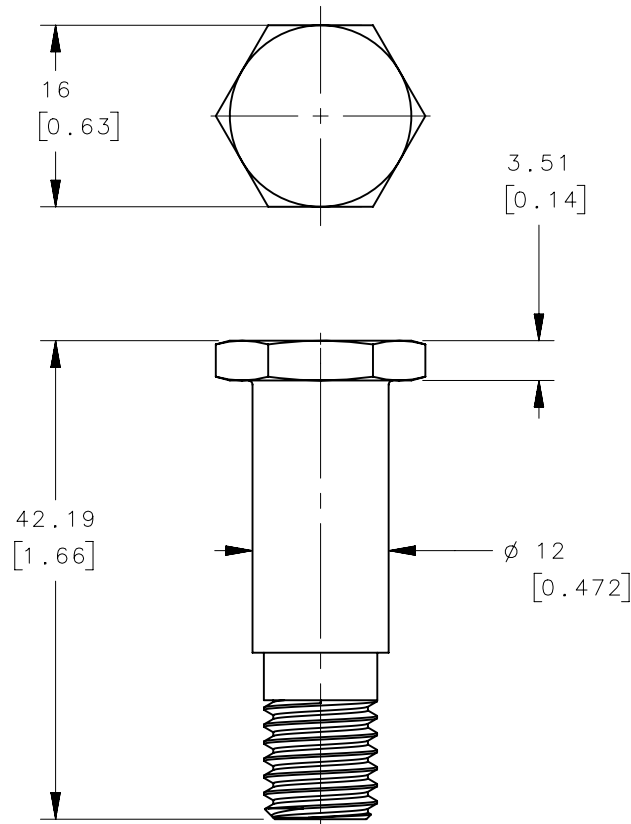
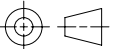



NOTE:
TO BE USED WITH SOUTHCO STANDARD R4-20 SERIES LATCHES

REVISION HISTORY			
REV	DATE	BY	DESCRIPTION
C	19AUG2009	ACH/MJS	PRN: P2009-0980



R4-91-281-10	STRIKER BOLT	STEEL	ZINC PLATE BRIGHT CHROMATE	3/8-16 UNC-2A
R4-91-231-10	STRIKER BOLT	STEEL	ZINC PLATE BRIGHT CHROMATE	M10 x 1.5
SOUTHCO PART NUMBER	TYPE OF COMPONENT	MATERIAL	FINISH	THREAD

THIRD ANGLE PROJECTION 		 CONNECT • CREATE • INNOVATE		
MILLIMETERS [IN]				
SURFACE AREA XXXXXmm ²		DESCRIPTION R4 STRIKER BOLT		
VOLUME XXXXXmm ³		TOLERANCES UNLESS OTHERWISE NOTED		
PROPRIETARY ITEM EXCEPT FOR USES EXPRESSLY GRANTED IN WRITING, INFORMATION DISCLOSED HEREON IS CONFIDENTIAL AND ALL RIGHTS, PATENT AND OTHERWISE, ARE RESERVED BY SOUTHCO, INC.		ALL DIMENSIONS WITHOUT TOLERANCES ARE FOR REFERENCE ONLY.		
PER ASME Y14.5M-1994		SIZE A4	SYSTEM NX	DWG NO. J-R4-91-200
		DRAWN BY ACH/MJS	DATE 19AUG2009	SCALE 1:1 SHEET 1 OF 1