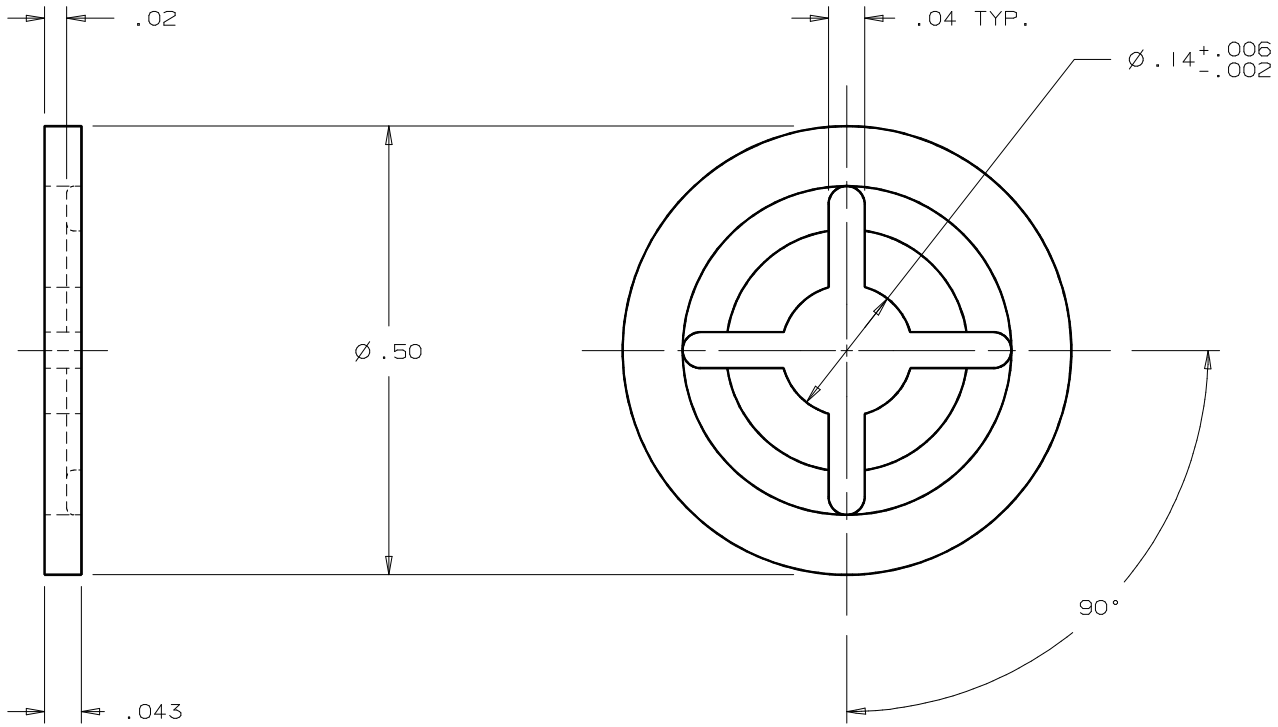


<b>SOUTHCO</b>			No. 09 PUSH-ON RETAINER				DATE	DRAWN	CHKD	SCALE	DRAWING NUMBER
CONCORDVILLE, PA							11-16-84	RJB		N.T.S.	J-09-49-102
REV.	DATE	BY-CHKD	REVISIONS	PART No.	MATERIAL	FINISH					
B	9-8-88	JSS	REDWN. ON CAD (SEE REC. DWG.)	09-49-102-42	NYLON	BLACK					
C	12APR93	ALC	PRN: S-1-03								



PROPRIETARY ITEM - EXCEPT FOR USES EXPRESSLY GRANTED IN WRITING  
 INFORMATION DISCLOSED HEREON IS CONFIDENTIAL AND ALL RIGHTS PATENT  
 AND OTHERWISE ARE RESERVED BY SOUTHCO, INC.

ALL TOLERANCES UNLESS OTHERWISE  
 NOTED ARE  $\pm .010$   
 ALL DIMENSIONS ARE IN INCHES.

DRAWING NUMBER  
 J-09-49-102