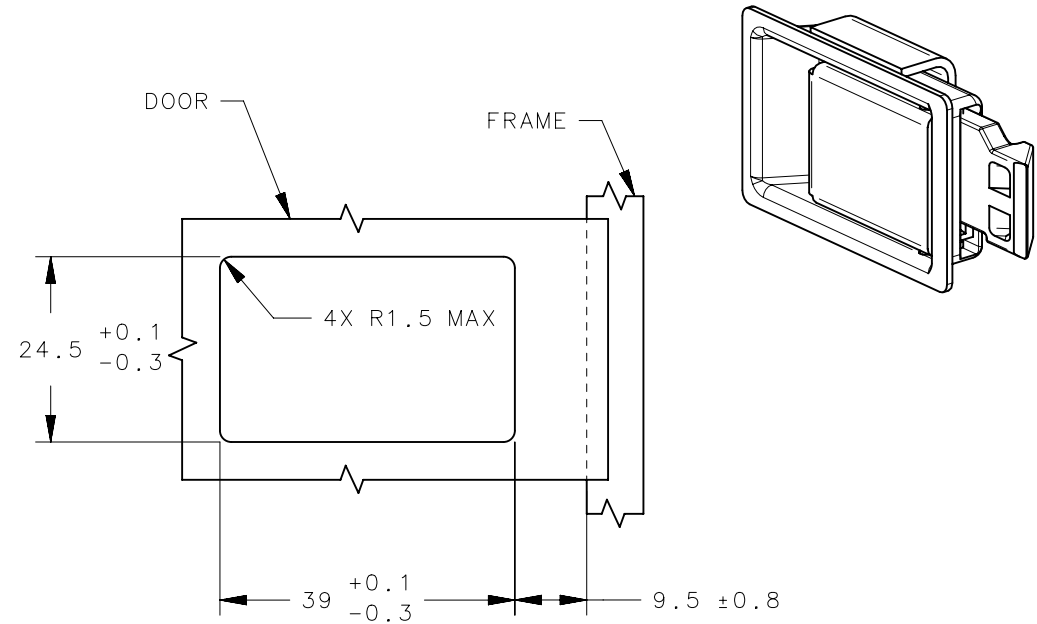
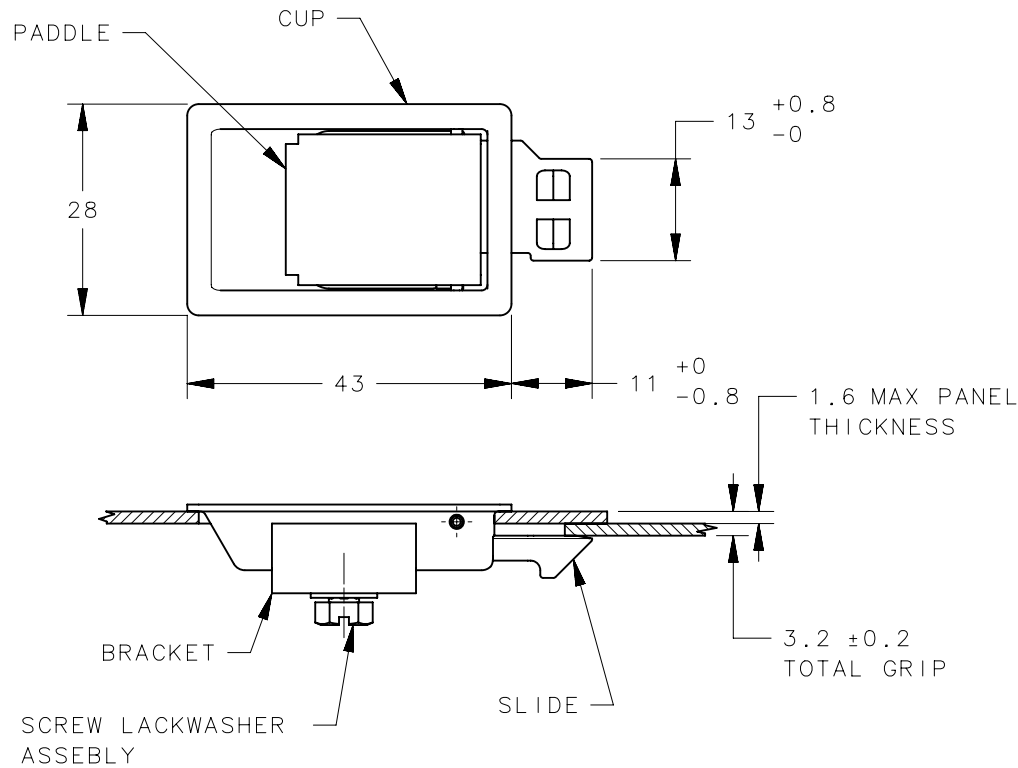
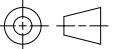



REVISION HISTORY			
REV	DATE	BY	DESCRIPTION
1	20MAY2021	RSN/DMS	PRN: P2021-0904



- NOTES:
- A. FINISH: BRUSHED PASSIVATED.
 - B. SOUTHCO RECOMMENDS HAND TORQUING OF MOUNTING SCREW TO A VALUE LESS THAN OR EQUAL TO 0.9 N-m, OR LATCH PERFORMANCE MAY BE AFFECTED.
 - C. RoHS COMPLIANT.

TYPE OF COMPONENT	PART NUMBER	MATERIAL	FINISH
SCREW & LOCKWASHER	-	STAINLESS STEEL	PASSIVATED
BRACKET	-	STAINLESS STEEL	PASSIVATED
TAPPED RIVET	-	STAINLESS STEEL	NATURAL
RIVET	-	STAINLESS STEEL	PASSIVATED
SPRING	-	STAINLESS STEEL	PASSIVATED
LEVER	-	GLASS REINFORCED NYLON, UL94 V0 RATED	BLACK
SLIDE	-	GLASS REINFORCED NYLON, UL94 V0 RATED	BLACK
PADDLE	-	STAINLESS STEEL	SEE NOTE A
CUP	-	STAINLESS STEEL	SEE NOTE A
ASSEMBLY	64-01-10	-	-

THIRD ANGLE PROJECTION 		 CONNECT • CREATE • INNOVATE	
MILLIMETERS [IN]			
TOLERANCES UNLESS OTHERWISE NOTED		DESCRIPTION No. 64 PADDLE LATCH	
ALL DIMENSIONS WITHOUT TOLERANCES ARE FOR REFERENCE ONLY.		SIZE A4	SYSTEM NX
PER ASME Y14.5M-1994		DWG NO. J-64-01-10	DATE 15NOV2001
EXCEPT FOR USES EXPRESSLY GRANTED IN WRITING, INFORMATION DISCLOSED HEREON IS CONFIDENTIAL AND ALL RIGHTS, PATENT AND OTHERWISE, ARE RESERVED BY SOUTHCO, INC.		DRAWN BY VNI	SHEET 1 OF 1