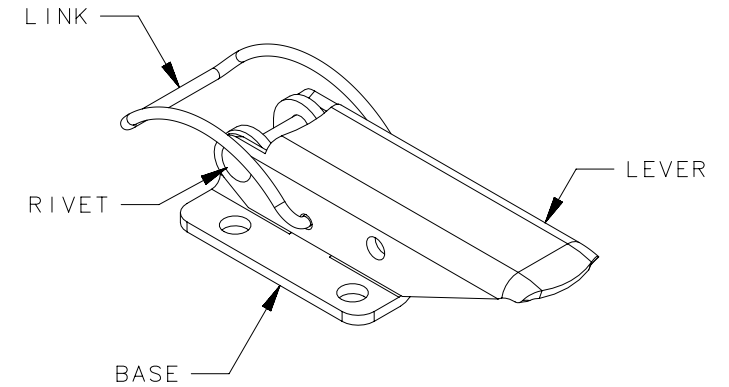
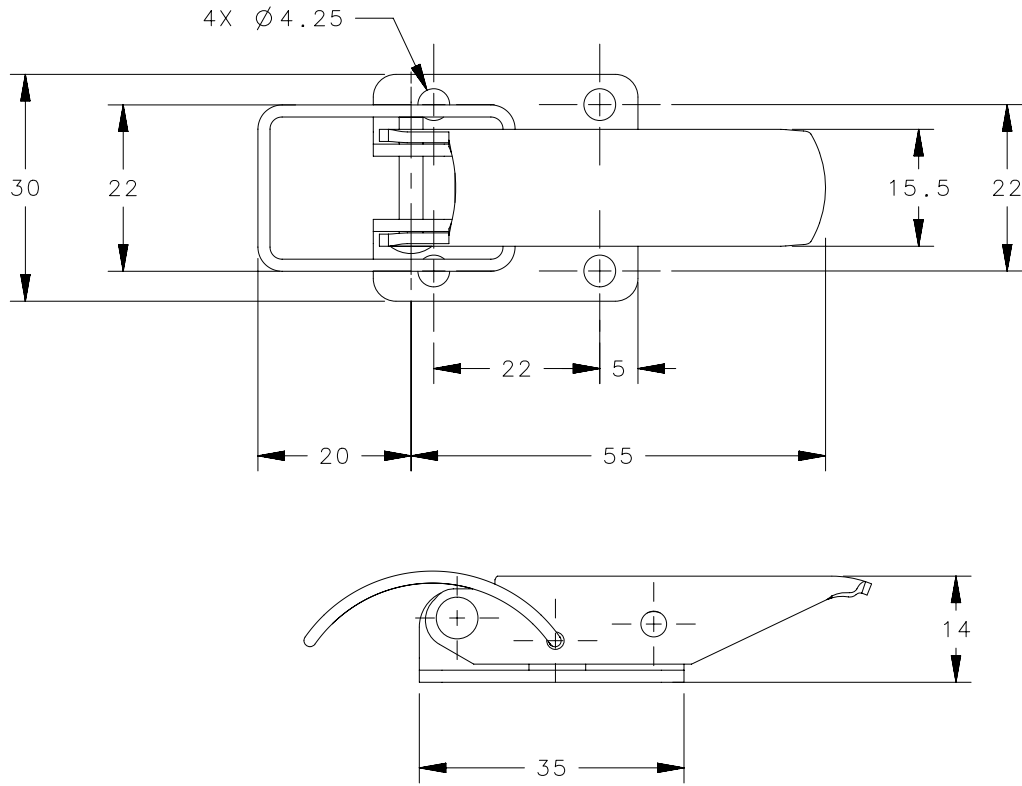


REVISION HISTORY			
REV	DATE	BY	DESCRIPTION
A	06SEP2013	MWC/YGC	PRN: P2013-1837



SCALE 1:1

TL-40-103-07	ASSEMBLY	CARBON STEEL	ZINC PLATE & TRIVALENT PASSIVATE
TL-40-103-10	ASSEMBLY	CARBON STEEL	CHROME PLATE
TL-40-103-13	ASSEMBLY	CARBON STEEL	ZINC PLATE & BLACK PASSIVATE
TL-40-103-24	ASSEMBLY	STAINLESS STEEL GRADE 316	ELECTRO POLISHED
TL-40-103-52	ASSEMBLY	STAINLESS STEEL GRADE 304	CLEAN
PART NUMBER	TYPE OF COMPONENT	MATERIAL	FINISH

THIRD ANGLE PROJECTION		 CONNECT • CREATE • INNOVATE	
MILLIMETERS [IN]			
TOLERANCES UNLESS OTHERWISE NOTED		DESCRIPTION TOGGLE LATCH ASSEMBLY	
ALL DIMENSIONS WITHOUT TOLERANCES ARE FOR REFERENCE ONLY.		SIZE A4	SYSTEM NX
<small>PROPRIETARY ITEM EXCEPT FOR USES EXPRESSLY GRANTED IN WRITING, INFORMATION DISCLOSED HEREON IS CONFIDENTIAL AND ALL RIGHTS, PATENT AND OTHERWISE, ARE RESERVED BY SOUTHCO, INC.</small>		DWG NO. J-TL-40-103	
PER ASME Y14.5M-1994		DRAWN BY MWC/YGC	DATE 06SEP2013
		SCALE 1:1	SHEET 1 OF 1