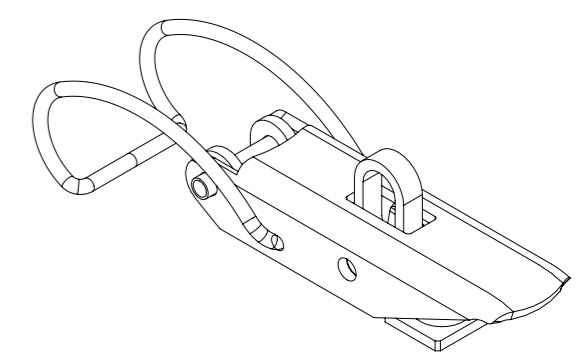
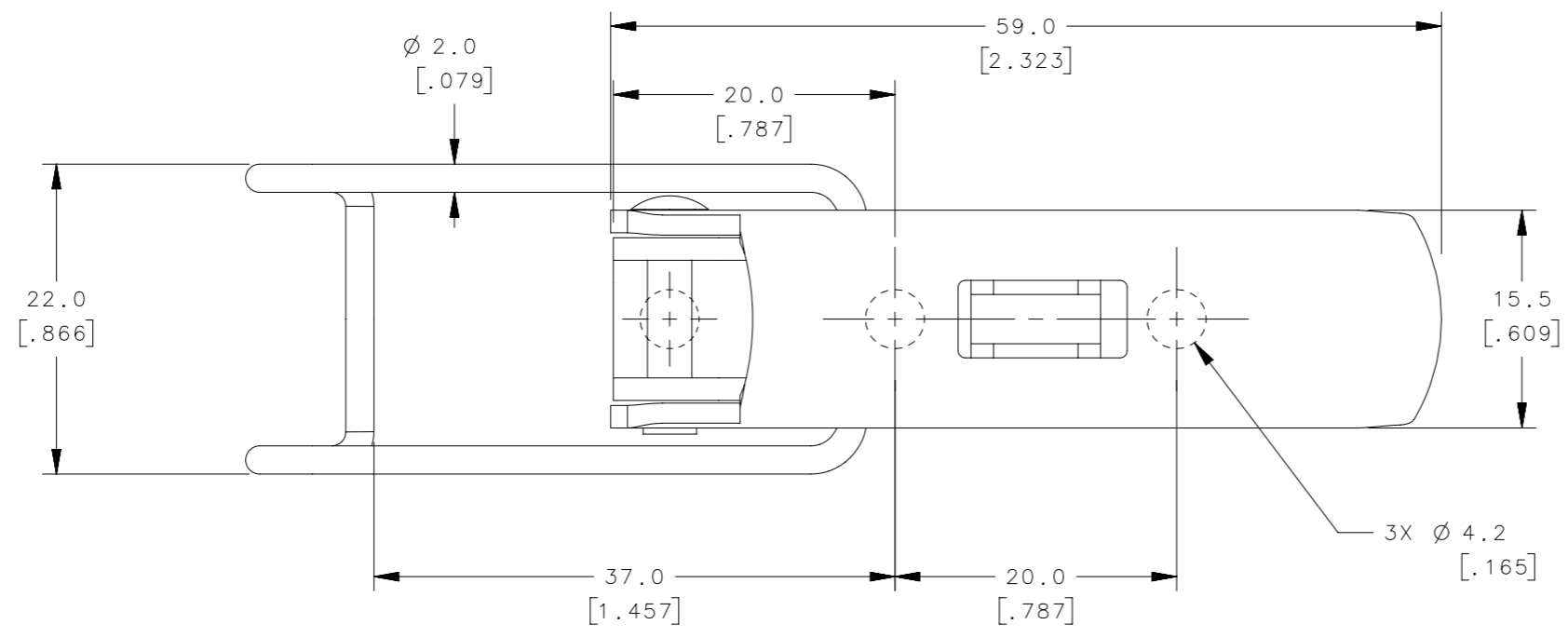
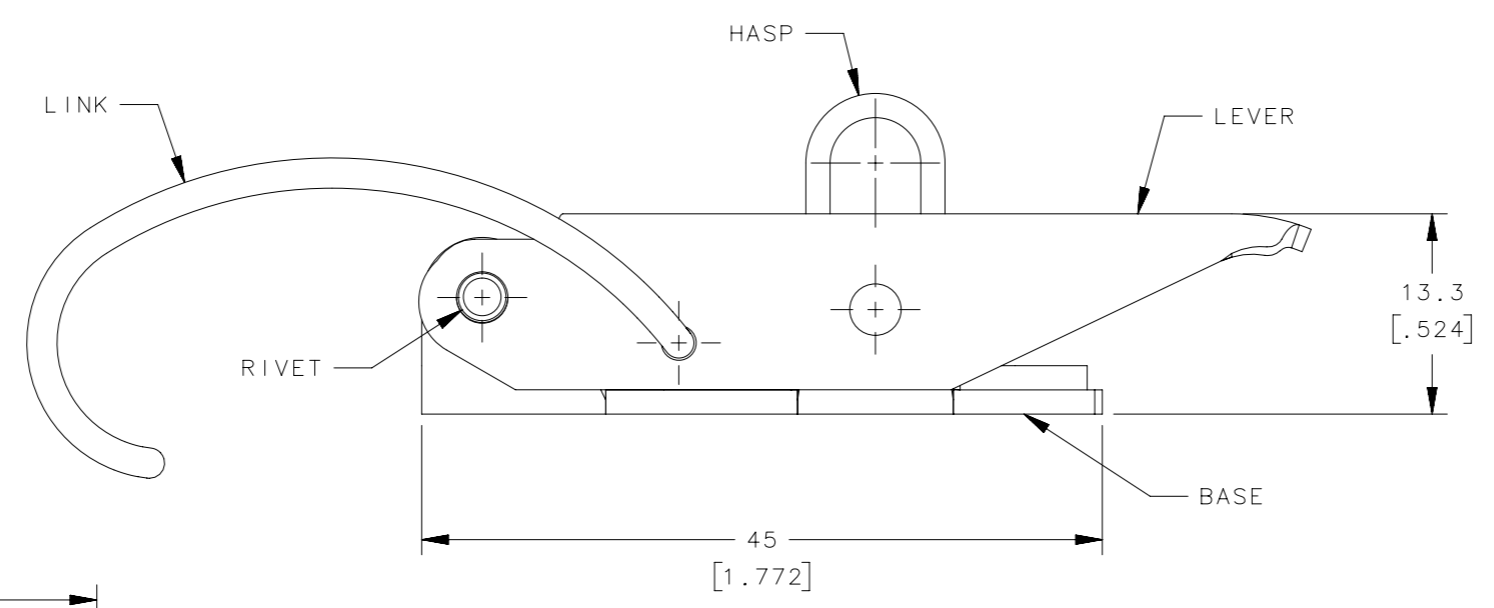


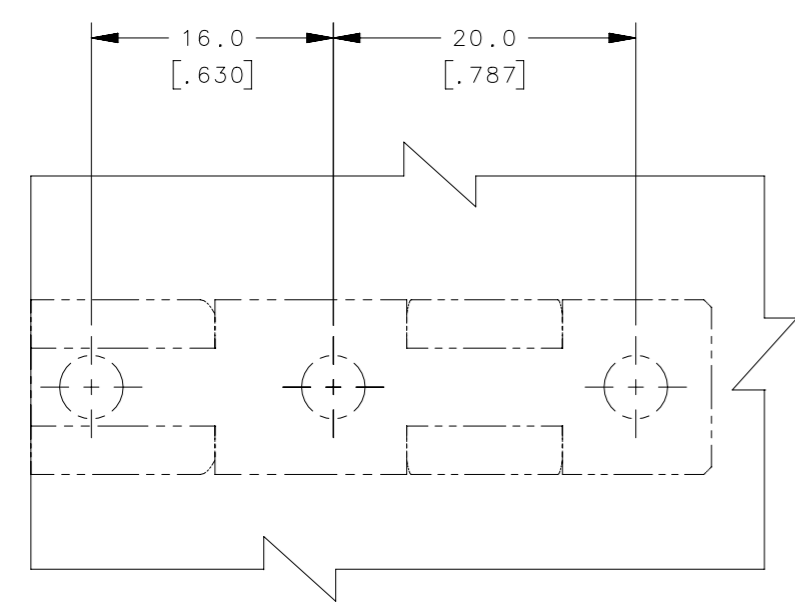
REVISION HISTORY			
REV	DATE	BY	DESCRIPTION
A	07JAN2014	MWC/YGC	PRN: P2014-0027



SCALE 1:1



NOTE:
1) ALL RIVETS USED ARE STAINLESS STEEL.



PANEL PREPRATION

TL-40-225-52	Draw Latch ASSEMBLY	STAINLESS STEEL	PASSIVATED
TL-40-225-24	Draw Latch ASSEMBLY	316 STAINLESS STEEL	ELECTROPOLISHED
TL-40-225-13	Draw Latch ASSEMBLY	STEEL	ZINC PLATE, BLACK CHROMATE
TL-40-225-07	Draw Latch ASSEMBLY	STEEL	ZINC PLATE, BRIGHT CHROMATE
PART NUMBER	TYPE OF COMPONENT	MATERIAL	FINISH

THIRD ANGLE PROJECTION		 CONNECT • CREATE • INNOVATE	
MILLIMETERS [IN]			
TOLERANCES UNLESS OTHERWISE NOTED		DESCRIPTION Draw Latch ASSEMBLY	
ALL DIMENSIONS WITHOUT TOLERANCES ARE FOR REFERENCE ONLY.		SIZE A3	SYSTEM NX
PROPRIETARY ITEM EXCEPT FOR USES EXPRESSLY GRANTED IN WRITING, INFORMATION DISCLOSED HEREON IS CONFIDENTIAL AND ALL RIGHTS, PATENT AND OTHERWISE, ARE RESERVED BY SOUTHCO, INC.		DWG NO. J-TL-40-225-XX	DATE 07JAN2014
PER ASME Y14.5M-1994		DRAWN BY MWC/YGC	SCALE 2:1
		SHEET 1 OF 1	