

6

5

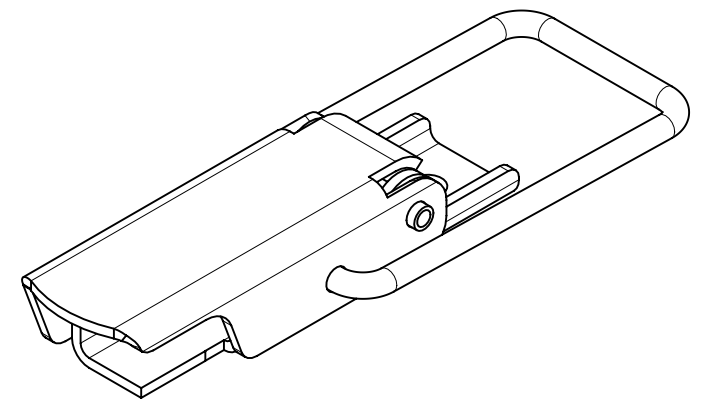
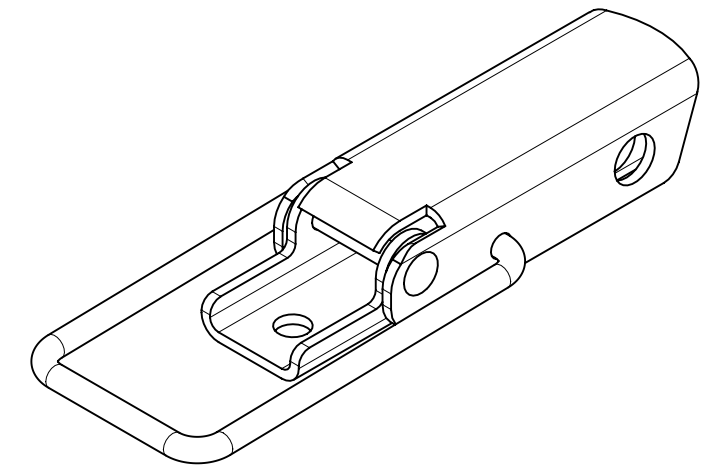
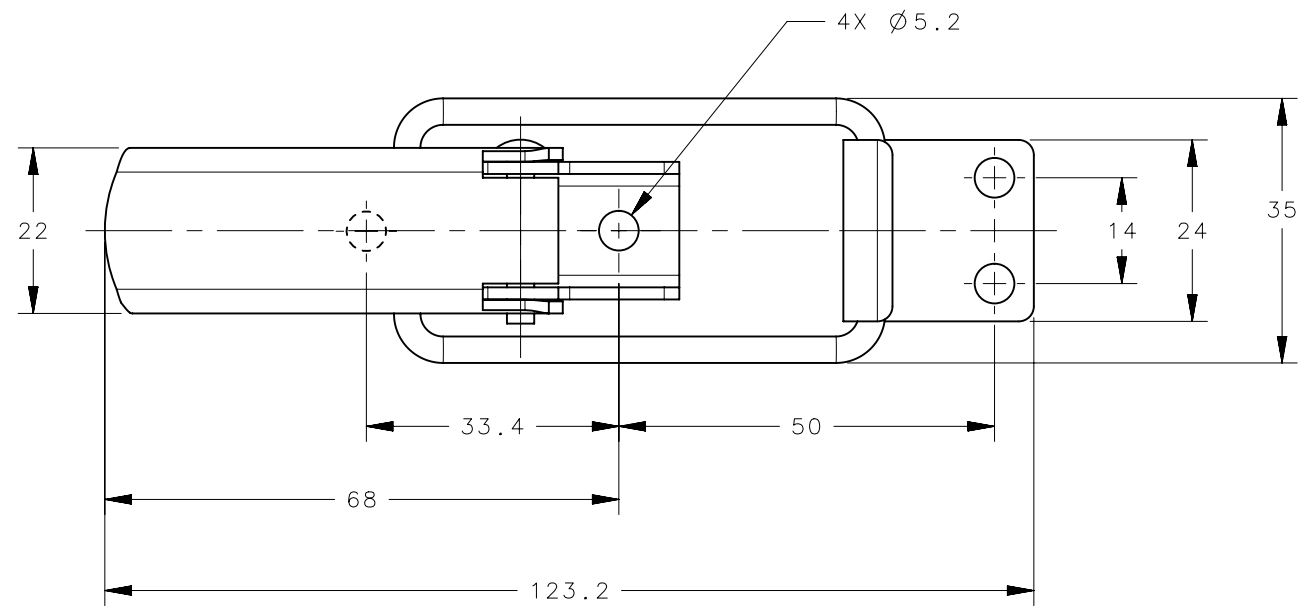
4

3

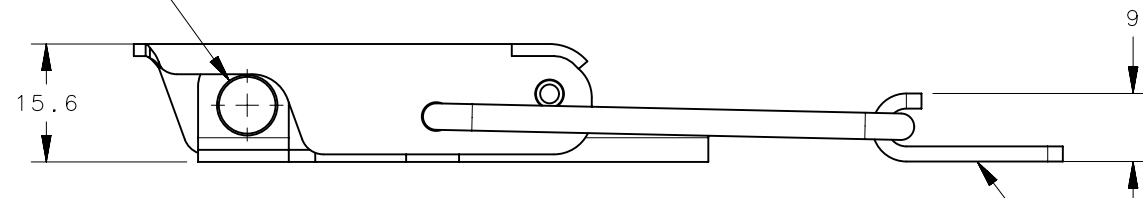
2

1

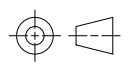
REVISION HISTORY			
REV	DATE	BY	DESCRIPTION
B	21APR2011	ACH/TVA	PRN: P2011-1051



Ø8 SECURITY HOLE



STRIKE TL-17-501-XX  
 NOTE: THIS PART MUST  
 BE ORDERED SEPARATELY

	TL-50-201-52	1	ASSEMBLY	STAINLESS STEEL	CLEAN	
	TL-50-201-07	1	ASSEMBLY	CARBON STEEL	ZINC PLATE	
NO.	PART NUMBER	QTY	TYPE OF COMPONENT	MATERIAL	FINISH	GENERAL NOTES
			THIRD ANGLE PROJECTION	 <b>southco</b> <sup>®</sup> CONNECT • CREATE • INNOVATE		
			MILLIMETERS [IN]			
SURFACE AREA	TOLERANCES UNLESS OTHERWISE NOTED			DESCRIPTION		
VOLUME	ALL DIMENSIONS WITHOUT TOLERANCES ARE FOR REFERENCE ONLY.			TL TOGGLE LATCH ASSEMBLY		
PROPRIETARY ITEM	PER ASME Y14.5M-1994			SIZE	SYSTEM	DWG NO.
EXCEPT FOR USES EXPRESSLY GRANTED IN WRITING, INFORMATION DISCLOSED HEREON IS CONFIDENTIAL AND ALL RIGHTS, PATENT AND OTHERWISE, ARE RESERVED BY SOUTHCO, INC.				B	NX	J-TL-50-201
				DRAWN BY	DATE	SCALE
				ACH/TVA	21APR2011	1:1
						SHEET 1 OF 1

6

5

4

3

2

1