

southco

PROPRIETARY ITEM - EXCEPT FOR USES EXPRESSLY GRANTED IN WRITING INFORMATION DISCLOSED HEREIN IS CONFIDENTIAL AND ALL RIGHTS PATENT AND OTHERWISE ARE RESERVED BY SOUTHCO, INC.

TITLE TOGGLE LATCH ASSEMBLY

DATE 17-03-06
DRAWN DME
CHKD MW
SCALE 1:1

DRAWING NUMBER J-TL-60-102-XX

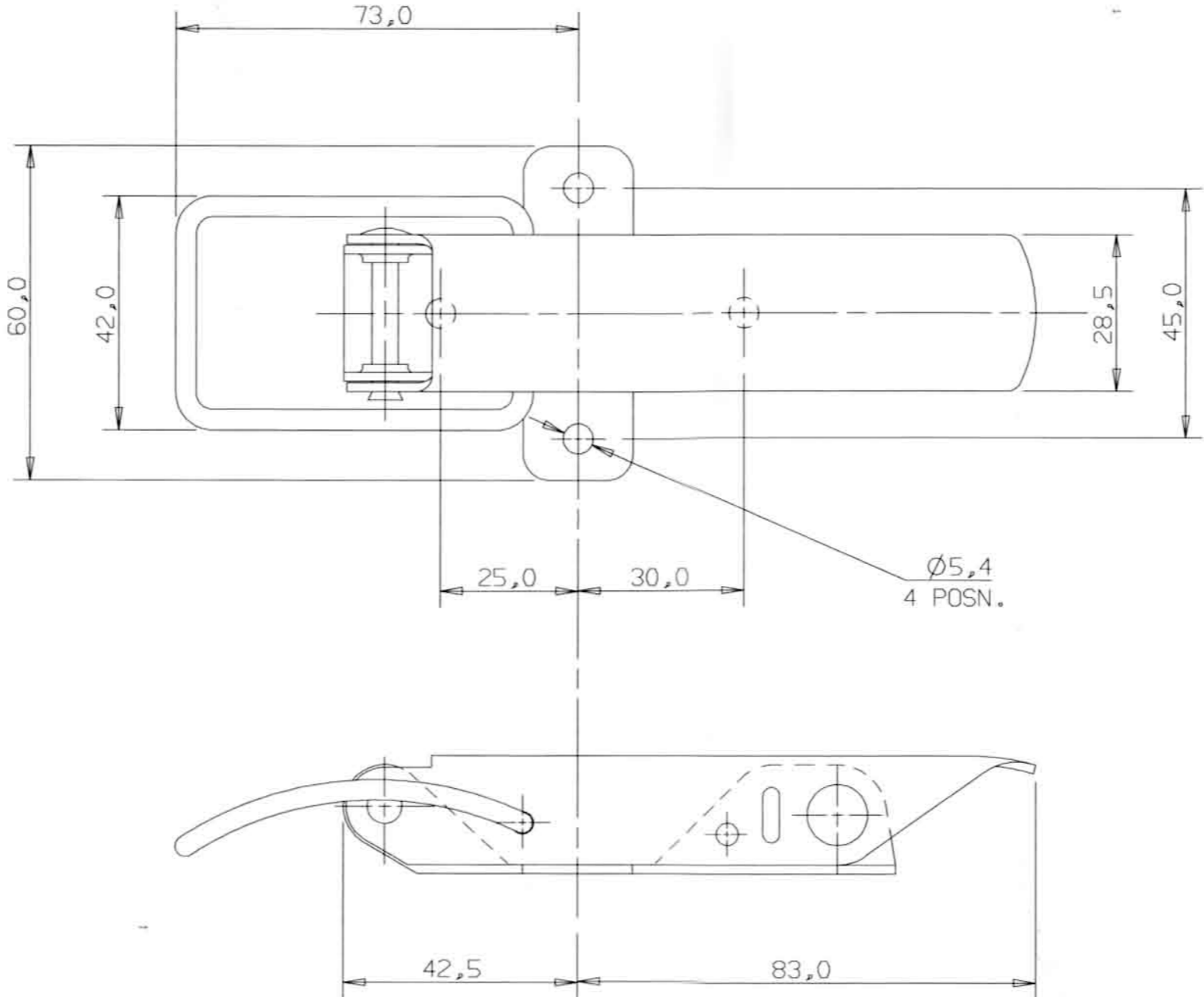
REV	DATE	DRAWN/CHKD	DESCRIPTION	PART NUMBER	MATERIAL	FINISH
A	14-07-09	DME	CUSTOMER REQUEST	TL-60-102-XX	SEE TABLE	SEE TABLE

MILLIMETERS

ALL UNTOLERANCED DIMENSIONS ARE FOR REFERENCE ONLY

THIRD ANGLE PROJECTION A3 PAPER SIZE

INDICATES DIMENSION WITH SIGNIFICANT CHARACTERISTIC
FILE No. XX



NOTES:
1) USE WITH STRIKER TL-17-601-XX.

PART No.	MATL/FINISH No
TL-60-102-07	ZINC PLATE & TRIVALENT PASS.
TL-60-102-13	ZINC PLATE & BLACK PASS.