

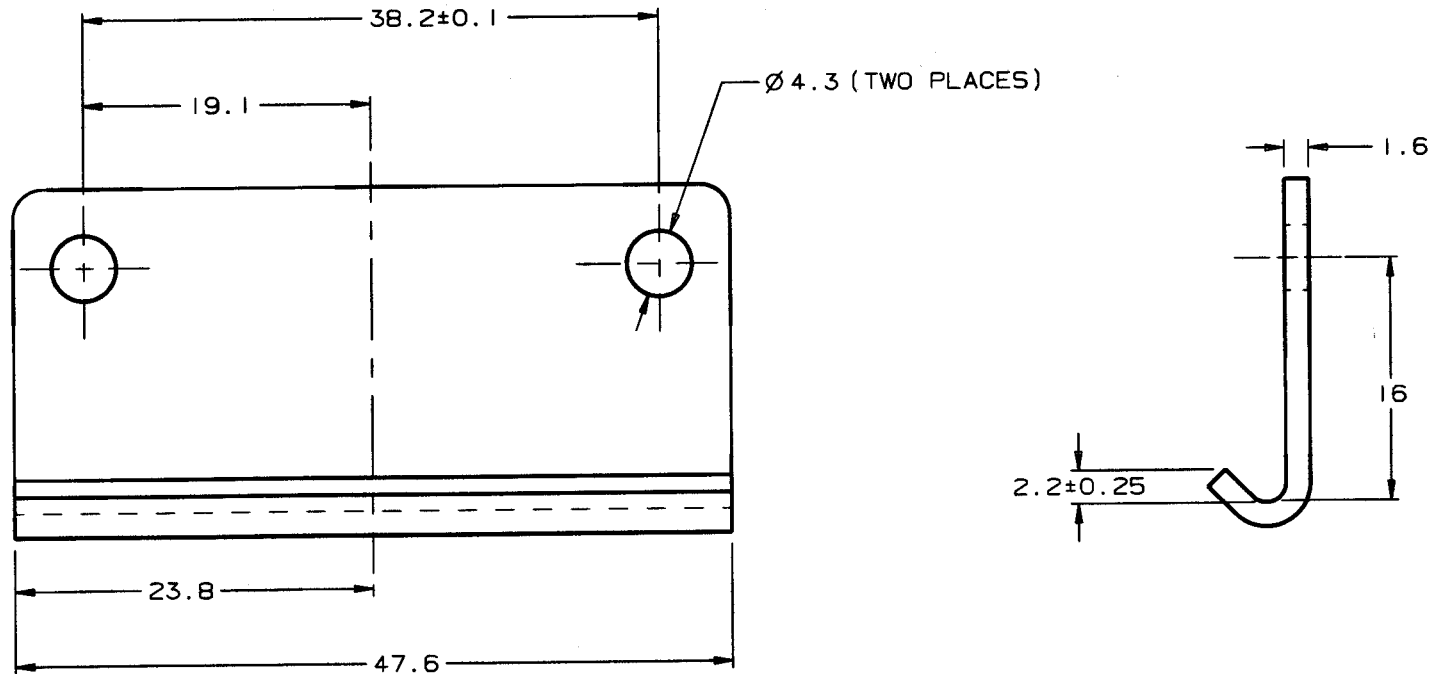


KEEPER PLATE  
VERSA LATCH 800

DATE	DRAWN	CHKD	SCALE	DRAWING NUMBER
06MAR96	CHW		2:1	J-V4-0009

REV.	DATE	BY-CHKD	REVISIONS	NUMBER	MATERIAL	FINISH			
				V4-0009-02	CARBON STEEL	SEE NOTE A			
				V4-0009-52	STAINLESS STEEL	NATURAL			

ZINC PLATE, BRIGHT CHROMATE DIP.



FORMAT 1 MAR 94

PROPRIETARY ITEM - EXCEPT FOR USES EXPRESSLY GRANTED IN WRITING  
INFORMATION DISCLOSED HEREON IS CONFIDENTIAL AND ALL RIGHTS PATENT  
AND OTHERWISE ARE RESERVED BY SOUTHCO, INC.

DIMENSIONS IN MILLIMETERS  
THIRD ANGLE PROJECTION

DIMENSIONS WITHOUT TOLERANCES  
ARE FOR FOR REFERENCE ONLY

DRAWING NUMBER  
J-V4-0009