

NOTES:

A. -XX IN PART NUMBER DESIGNATES PADDLE AND CUP MATERIAL & FINISH.

- 10 = STEEL, ZINC PLATED
- 20 = STAINLESS STEEL
- 30 = STEEL, PREPLATED
- 50 = STEEL, BLACK POWDERCOAT
- 52 = STAINLESS STEEL, BLACK POWDERCOAT

B. OTHER COMPONENT MATERIAL AND FINISH:

RIVETS AND SPRING (NOT SHOWN): STAINLESS STEEL, PASSIVATED

LOCK PLUG: DIE CAST ZINC, OLIVE DRAB CHROMATE, STAINLESS STEEL CAP

LOCK PLUG HOUSING: DIE CAST ZINC, CHROME PLATED OR BLACK POWDER COAT (DEPENDENT ON THE CUP FINISH CHOSEN ABOVE)

PAWL AND LOCK NUT: DIE CAST ZINC, CLEAR PROTECTIVE FILM.

LOCK PAWL & LOCK PIN: DIE CAST ZINC, BRIGHT CHROMATE

southco

PROPRIETARY ITEM - EXCEPT FOR USES EXPRESSLY GRANTED IN WRITING INFORMATION DISCLOSED HEREON IS CONFIDENTIAL AND ALL RIGHTS PATENT AND OTHERWISE ARE RESERVED BY SOUTHCO, INC.

PADDLE LATCH ASSEMBLY
PAWL TYPE

DATE	DRAWN	CHKD	SCALE	DRAWING NUMBER
23JUL2004	MDY	GJC	0.5:1	J-64-50

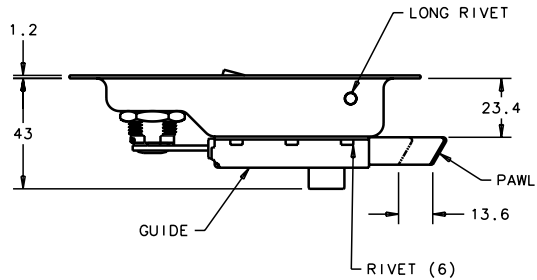
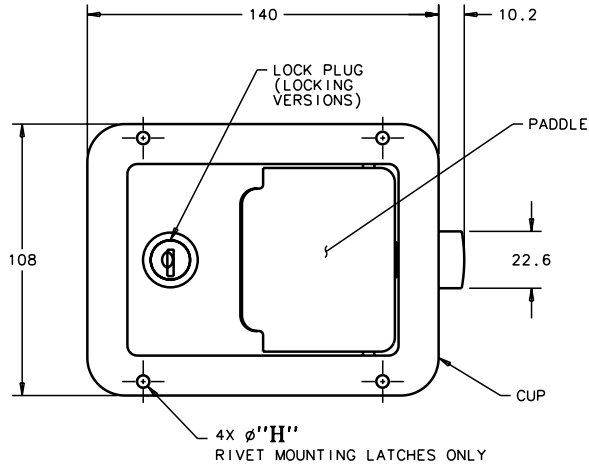
REV	DATE	DRAWN/CHKD	DESCRIPTION	PART NUMBER	LOCK TYPE	MOUNTING TYPE	Ø"H"	MATERIAL & FINISH OPTIONS
A	18FEB2005	AJH/RLR	PRN: P2005-0222	64-50-400-XX	NON-LOCKING	WELD	-	SEE NOTES A & B
B	24FEB2005	MDY/ZLR	PRN: P2005-0251	64-50-401-XX	NON-LOCKING	RIVET	Ø4.9	
C	29MAY2007	AJH/AJH	PRN: P2007-0708	64-50-402-XX	NON-LOCKING	RIVET	Ø5.2	
				64-50-410-XX	LOCKING	WELD	-	
				64-50-411-XX	LOCKING	RIVET	Ø4.9	
				64-50-412-XX	LOCKING	RIVET	Ø5.2	

MILLIMETERS

ALL DIMENSIONS WITHOUT TOLERANCES ARE FOR REFERENCE ONLY.

THIRD ANGLE PROJECTION

A4 PAPER SIZE



PANEL PREPARATION

