

southco®

PROPRIETARY ITEM - EXCEPT FOR USES EXPRESSLY GRANTED IN WRITING INFORMATION DISCLOSED HEREON IS CONFIDENTIAL AND ALL RIGHTS PATENT AND OTHERWISE ARE RESERVED BY SOUTHCO, INC.


SOUTHCO No.82 SINGLE HOLE RECEPTACLE

DATE	DRAWN	CHKD	SCALE	DRAWING NUMBER
07-21-71	RHB		4:1	J-82-35-308-55

REV	DATE	DRAWN/CHKD	DESCRIPTION	ITEM	PART NUMBER	MATERIAL	FINISH
H	23JUL93	MPF	PRN: S-99-1-N-1	ASSEMBLY	82-35-308-55	-	-
I	25NOV96	SWD	PRN: S-1-06A	RECEPTACLE		CASE HARDENED STEEL	SEE NOTE A
J	03APR2003	RLR/MJS	PRN: P2003-0244	SHELL		CASE HARDENED STEEL	SEE NOTE A
K	12APR2005	BRP/RLR	PRN: P2005-0589	SPRING		STAINLESS STEEL	ZINC FLAKE COATING
L	19MAY2014	CMS/JCG	PRN: P2014-0973	RETAINER		STAINLESS STEEL	PASSIVATED

INCHES

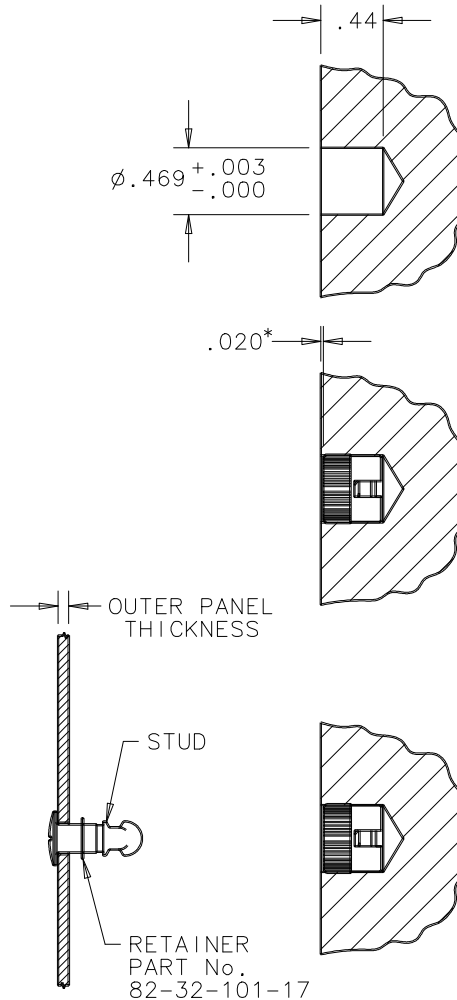
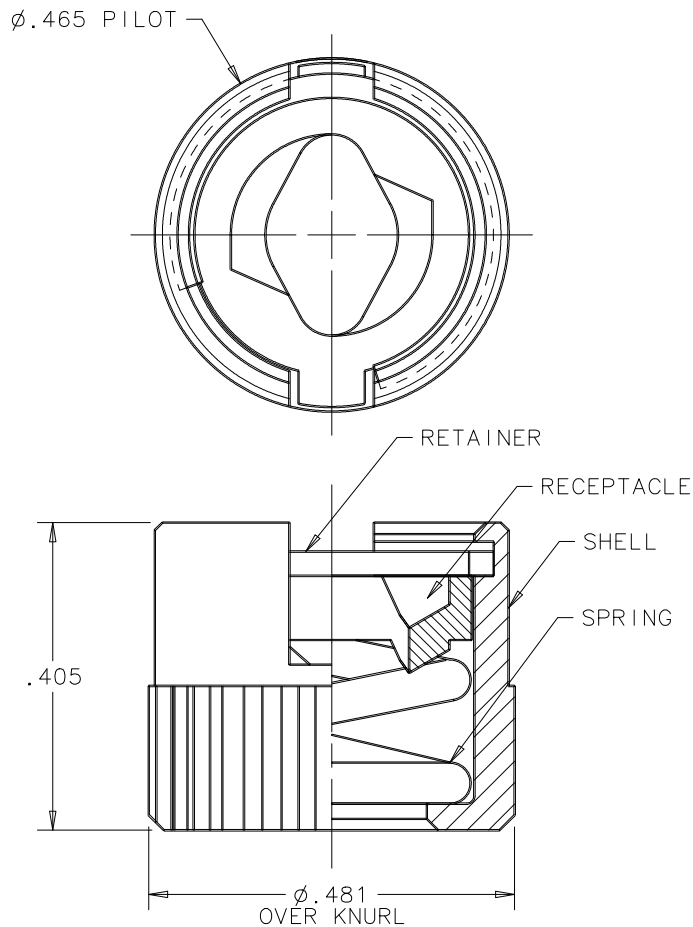
ALL DIMENSIONS WITHOUT TOLERANCES ARE FOR REFERENCE ONLY.



THIRD ANGLE PROJECTION

A
PAPER SIZE

RECEPTACLE ASSEMBLY



NOTES:
A. FINISH: ZINC PLATE, CHROMATE PLUS SEALER.

INSTALLATION INSTRUCTIONS:

1. DRILL .469 DIAMETER HOLE IN INNER MEMBER.
2. PRESS RECEPTACLE ASSEMBLY IN TO A DEPTH AS NOTED BELOW SURFACE. SLOT MAY BE POSITIONED AS DESIRED; WHEN LOCKED UP, SLOT IN STUD WILL LINE UP WITH SLOT IN RECEPTACLE.