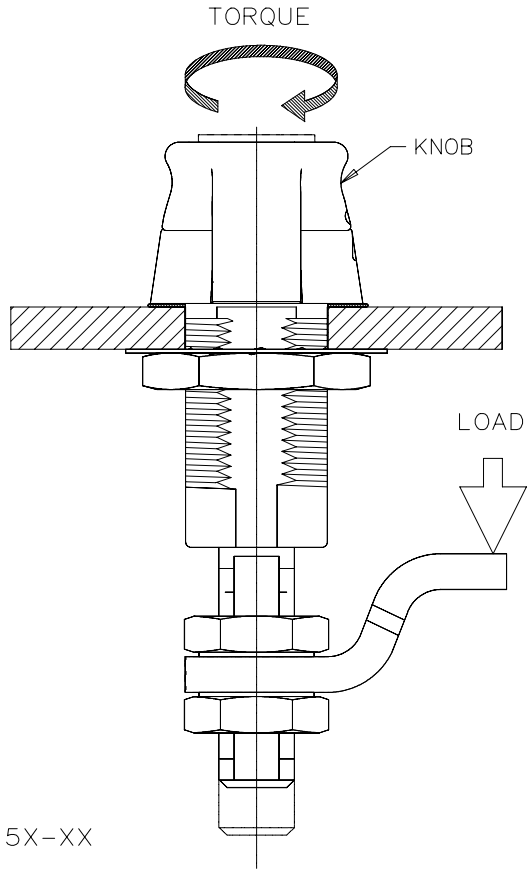


REV	DATE	DRAWN/CHKD	DESCRIPTION	DATE	DRAWN	CHKD	SCALE	DRAWING NUMBER	
				10NOV2004	MJS		1:1	TD-E3-13-J	
PROPRIETARY ITEM - EXCEPT FOR USES EXPRESSLY GRANTED IN WRITING INFORMATION DISCLOSED HEREON IS CONFIDENTIAL AND ALL RIGHTS PATENT AND OTHERWISE ARE RESERVED BY SOUTHCO, INC.				E3 KEY LOCKABLE WING KNOB LATCH ASSEMBLY SINGLE HOLE MOUNT, INTERNATIONAL SERIES					THIRD ANGLE PROJECTION  PAPER SIZE A

SOUTHCO PERFORMANCE GUIDELINES  
 THE PERFORMANCE GUIDELINES SHOWN ON THIS PAGE ARE SUPPLIED AS A GENERAL GUIDE ONLY, AS CONDITIONS VARY WITH EACH APPLICATION AND METHOD OF INSTALLATION. STRENGTH DATA GIVEN IS FOR FAILURE OF THE PRODUCT OR FOR SUFFICIENT DEFORMATION TO MAKE PRODUCT INOPERABLE. NO SAFETY FACTOR HAS BEEN APPLIED. IT IS RECOMMENDED THAT THE USER REQUEST A PRODUCT SAMPLE FOR TESTING TO DETERMINE THE SUITABILITY OF THE PRODUCT FOR THE PURPOSE INTENDED AND USER'S PARTICULAR APPLICATION.



PART NUMBERS: E3-15X-XX

COMPRESSIVE STRENGTH - Maximum WORKING LOAD <sup>①</sup>: 670 N / 150 LBS

Average ULTIMATE LOAD <sup>②</sup>: 1500 N / 340 LBS

TORQUE LIMITS - To develop a compressive force on the pawl of 445 N / 100 lbs., an operating torque of 7.9 N-m / 70 in.-lbs. was required to lock the fastener. <sup>③</sup>

- ① WORKING LOAD is the maximum force that the product will withstand without affecting the operation or appearance of the product.
- ② Average ULTIMATE LOAD causes failure of the product or sufficient deformation to make the product inoperable.
- ③ Overloading the fastener beyond these conditions is not recommended.

