



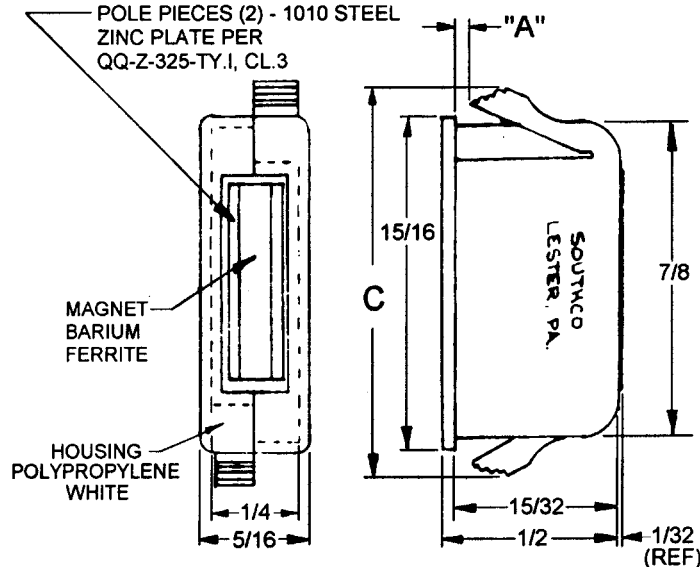
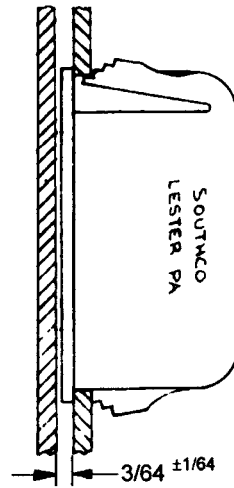
SOUTHCO NO. 02 MAGNETIC LATCH

DATE	DRAWN	CHKD	SCALE	DRAWING NUMBER
9-23-75	ESK		N.T.S.	J-02-10-30-20

REV. LET.	DATE	BY	CHKD	REVISIONS	LATCH PART NO.	GRIP	"A"	C	R.S.	DATE	APP
H	13AUG96	SWD		PRN: 02-96	02-10-301-20	.020 TO .080	.035	1.10	A	9-23-75	Esk
I	14JUL97	SWD		PRN: 02-101	02-10-302-20	.080 TO .140	.095	1.05	B		
J	29OCT97	SWD		PRN: 02-101 A							

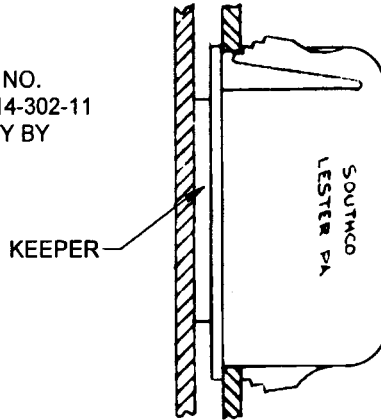
INSTALLATION - MAGNETIC DOORS

SNAP LATCH INTO HOLE IN FRAME & CLOSE DOOR



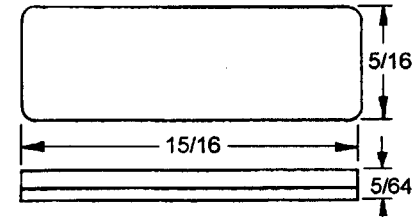
INSTALLATION - NON MAGNETIC DOORS

USE KEEPER, PART NO. 02-14-301-14 OR 02-14-302-11 ORDER SEPARATELY BY PART NUMBER



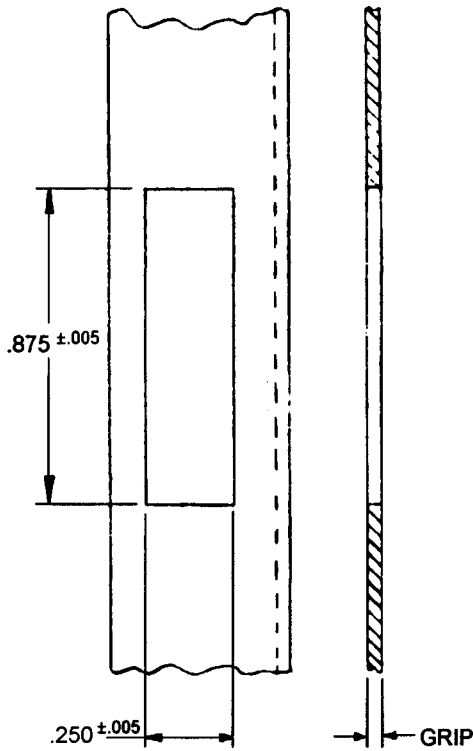
KEEPER - ADHESIVE BACKED

PART NO. 02-14-301-14  
MATERIAL: 1010 STEEL  
FINISH: ZINC PLATE PER ASTM: B633 TY. 1



REMOVE PROTECTIVE PAPER, POSITION KEEPER ON FACE OF INSTALLED LATCH, AND CLOSE DOOR AGAINST ADHESIVE SURFACE OF KEEPER.

NOTE: MAKE SURE SURFACE OF DOOR IS CLEAN AND CAPABLE OF RETAINING A SATISFACTORY ADHESIVE BOND.



PROPRIETARY ITEM - EXCEPT FOR USES EXPRESSLY GRANTED IN WRITING, INFORMATION DISCLOSED HEREON IS CONFIDENTIAL AND ALL RIGHTS, PATENT AND OTHERWISE, ARE RESERVED BY SOUTHCO, INC.

TOLERANCE UNLESS OTHERWISE NOTED  
DECIMALS ± — FRACTIONS ± — ANGLES ± —

DRAWING NUMBER  
J-02-10-30-20