

southco

PROPRIETARY ITEM - EXCEPT FOR USES EXPRESSLY GRANTED IN WRITING INFORMATION DISCLOSED HEREON IS CONFIDENTIAL AND ALL RIGHTS PATENT AND OTHERWISE ARE RESERVED BY SOUTHCO, INC.

CRESCENT HINGE

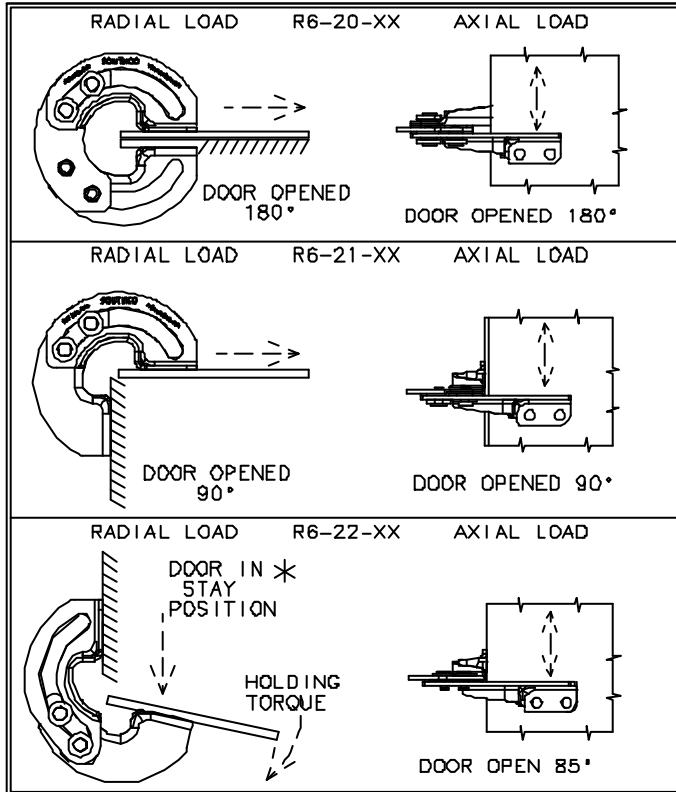
DATE	DRAWN	CHKD	SCALE	DRAWING NUMBER
20APR01	GDM	MAC	NTS	TD-R6-01-J

REV.	DATE	DRAWN	REVISION							
A	16APR2002	MJS	UPDATED LOGO							



SOUTHCO PERFORMANCE GUIDELINES

THE PERFORMANCE GUIDELINES SHOWN ON THIS PAGE ARE SUPPLIED AS A GENERAL GUIDE ONLY, AS CONDITIONS VARY WITH EACH APPLICATION AND METHOD OF INSTALLATION. STRENGTH DATA GIVEN IS FOR FAILURE OF THE PRODUCT OR FOR SUFFICIENT DEFORMATION TO MAKE PRODUCT INOPERABLE, NO SAFETY FACTOR HAS BEEN APPLIED. IT IS RECOMMENDED THAT THE USER REQUEST A PRODUCT SAMPLE FOR TESTING TO DETERMINE THE SUITABILITY OF THE PRODUCT FOR THE PURPOSE INTENDED AND THE USER'S PARTICULAR APPLICATION.



ASSEMBLY PART NUMBER	LOAD TESTING			
	RADIAL		AXIAL	
	MAXIMUM RECOMMENDED WORKING LOAD N (lbf)	AVERAGE ULTIMATE LOAD N (lbf)	MAXIMUM RECOMMENDED WORKING LOAD N (lbf)	AVERAGE ULTIMATE LOAD N (lbf)
R6-20-11	485 (109)	710 (160)	100 (23)	295 (66)
R6-20-23	505 (114)	1085 (244)	165 (37)	345 (78)
R6-21-11	625 (140)	2235 (502)	205 (46)	420 (94)
R6-21-23	525 (118)	3035 (682)	185 (42)	475 (107)
R6-22-11	155 (35)*	405 (91)*	200 (45)	415 (93)
R6-22-23	280 (63)*	570 (128)*	305 (69)	430 (97)

LEAF MATERIAL: R6-2X-11, STEEL; R6-2X-23, STAINLESS STEEL.

MAXIMUM RECOMMENDED WORKING LOAD - THE MAXIMUM RECOMMENDED LOAD AT WHICH THE PRODUCT CONTINUES TO FUNCTION PROPERLY.

AVERAGE ULTIMATE LOAD - THE LOAD THAT CAUSES FAILURE OR EXCESSIVE DEFORMATION WHICH RENDERS THE PRODUCT INOPERABLE.

PRODUCT STRENGTH GUIDELINES ARE BASED ON TESTING CONDUCTED USING ONE HINGE.

DOOR STAY MAXIMUM HOLDING TORQUE- THE MAXIMUM TORQUE ON THE HINGE IN THE STAY POSITION AT WHICH THE PRODUCT CONTINUES TO OPERATE PROPERLY.

R6-22-11 11.8 N·m (104 lbf·in)
R6-22-23 18.2 N·m (161 lbf·in)

CYCLE TESTING

HINGES WERE CYCLED TO 5,000 CYCLES WITH A 5.44 kg (12 lb) DOOR AT 23°C AND 85°C WITHOUT EXCESSIVE WEAR OR OTHER FAILURE. CYCLE TESTS REFLECT MINIMUM CYCLE LIFE.

HINGES WERE CYCLED TO 1,000 CYCLES WITH 5.44 kg (12 lb) DOOR AT -40°C WITHOUT EXCESSIVE WEAR OR OTHER FAILURE.

CYCLE TESTING WAS CONDUCTED USING TWO HINGES PER DOOR.