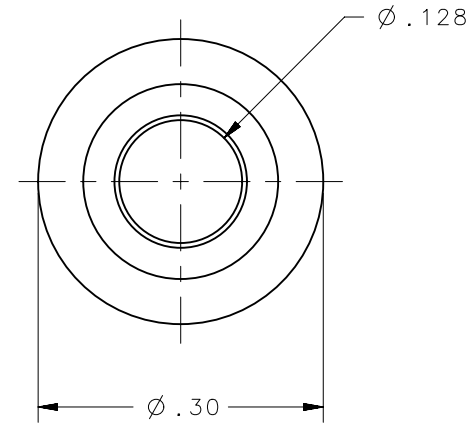
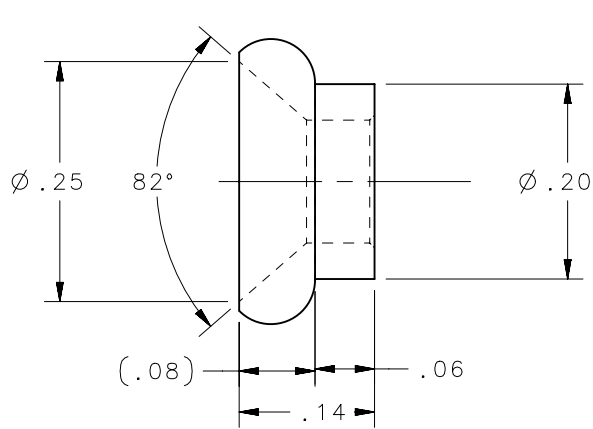


REVISION HISTORY			
REV	DATE	BY	DESCRIPTION
B	22JAN2019	CB1/DMS	PRN: P2019-0167



97-37-105-15	KEEPER	LOW CARBON STEEL	CASE HARDENED	SEE NOTE C
97-37-105-24	KEEPER	STAINLESS STEEL	NONE	PASSIVATED
97-37-105-11	KEEPER	LOW CARBON STEEL	CASE HARDENED	SEE NOTE A
SOUTHCO PART NUMBER	TYPE OF COMPONENT	MATERIAL	HEAT TREAT	FINISH

- NOTES:
- A- ZINC PLATED PLUS BRIGHT CHROMATE DIP.
 - B- USE WITH M3 OR (No. 4) COUNTERSUNK HEAD SCREWS.
 - C- ZINC PLATE, BLACK CHROMATE PLUS SEALER.

THIRD ANGLE PROJECTION		 CONNECT • CREATE • INNOVATE		
INCHES [MM]				
TOLERANCES UNLESS OTHERWISE NOTED		DESCRIPTION		
ALL DIMENSIONS WITHOUT TOLERANCES ARE FOR REFERENCE ONLY.		No. 97 BUTTON KEEPER STANDARD		
PROPRIETARY ITEM <small>EXCEPT FOR USES EXPRESSLY GRANTED IN WRITING, INFORMATION DISCLOSED HEREON IS CONFIDENTIAL AND ALL RIGHTS, PATENT AND OTHERWISE, ARE RESERVED BY SOUTHCO, INC.</small>	PER ASME Y14.5M-1994	SIZE A	SYSTEM NX	DWG NO. J-97-37-105
		DRAWN BY JGK	DATE 11OCT1995	SCALE 1:1
				SHEET 1 OF 1